

CRESCENDO ABOVE-COUNTER BASIN, MODEL 06381

- Iperbole faucet Model #5131.101.002 not recommended for use with this lavatory
- Contemporary basin design with inclined front rim
- Fire clay china construction
- Rear overflow with chrome trim ring part #85700
- Faucet ledge
- Center-hole (1-3/8" dia.) only
- For use with faucet escutcheons less than 2"
- Made in Italy
- Shown on Zen table Model #89010

Nominal Overall Dimensions:

19-3/4" (502mm) diameter
5" (127mm) front height
10" (254mm) rear height

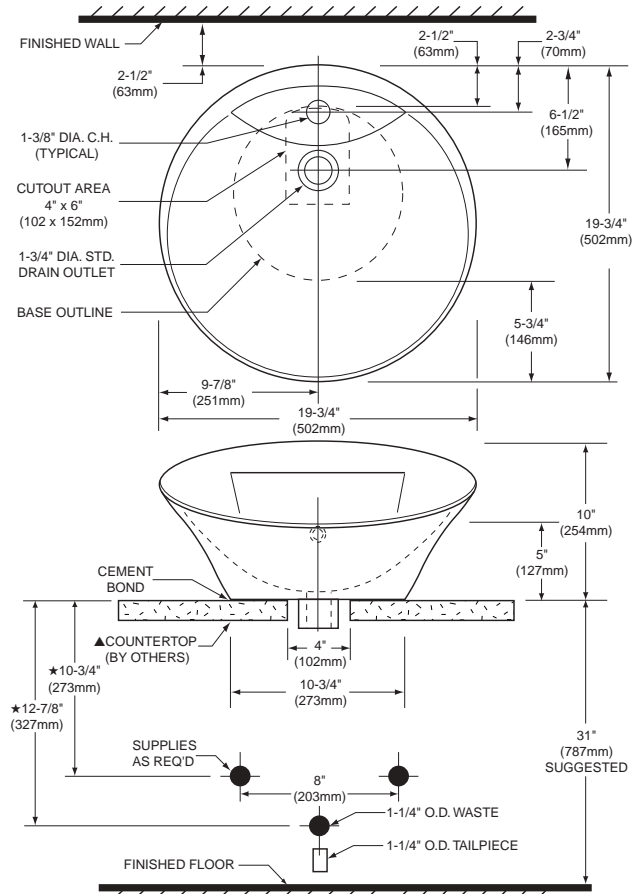
Bowl Inside Dimensions:

18" (457mm) wide
14" (356mm) front to back
5" (127mm) depth

Fixture Dimensions conform to ANSI Standard
A112.19.9M

To Be Specified

- Color:
- Faucet:
- Faucet Finish:
- Supplies:
- 1-1/4" Trap:
- Nipple:



NOTES:

★ DIMENSIONS SHOWN FOR LOCATION OF SUPPLIES AND "P" TRAP ARE SUGGESTED.

▲ FOR COUNTERTOP CUTOUT, REFER TO INSTALLATION INSTRUCTIONS SUPPLIED WITH LAVATORY. FITTINGS NOT INCLUDED AND MUST BE ORDERED SEPARATELY.

IMPORTANT: Dimensions of fixtures are nominal and may vary within the range of tolerances established by ANSI Standard A112.19.9M. These measurements are subject to change or cancellation. No responsibility is assumed for use of superseded or voided pages.