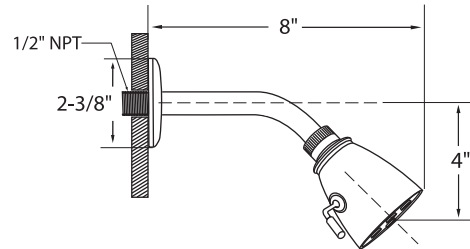
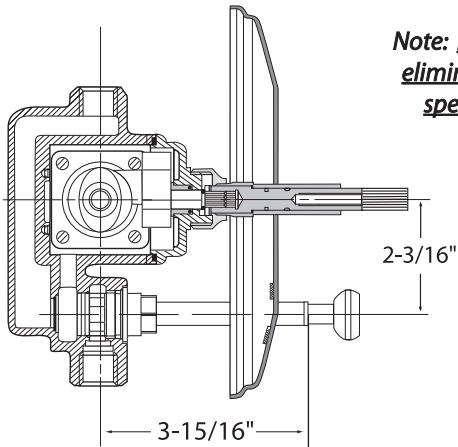


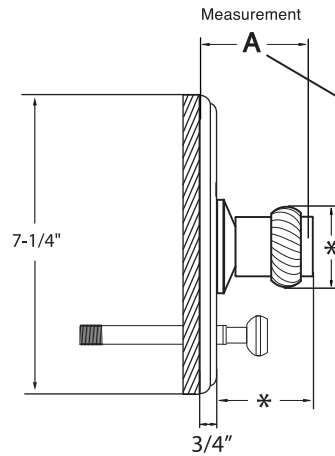
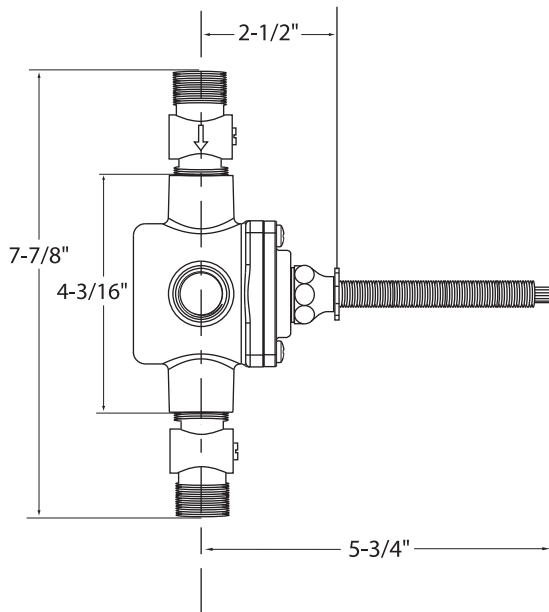
Pressure Balance Valve & Trim Specifications 100 Series

**Note: For shower only application
eliminate diverter and tub spout
specifications from all views**

Cutaway View

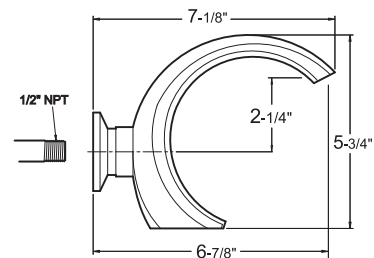


Top View



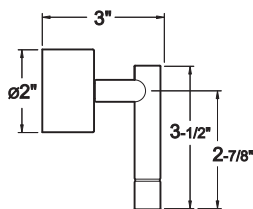
Note: Measurement **A** is the amount of stem required from finished wall for installation.
Palermo & Verona require 2-3/4"
Seville requires 3"
- See installation instructions

* Measurements vary by handle
SEE BELOW

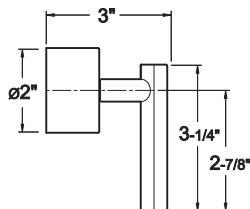


WALL MOUNT

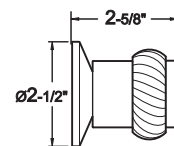
Handles



Palermo



Verona



Seville