

MESA UNDERCOUNTER LAVATORY, MODEL 11020

- Clean, contemporary design
- Vitreous china construction
- Full color range (see Price Book)
- With integral overflow
- Rim for undercounter mounting
- Supplied with mounting kit #047194-007A
- Less fittings deck (counter-mounted fittings)

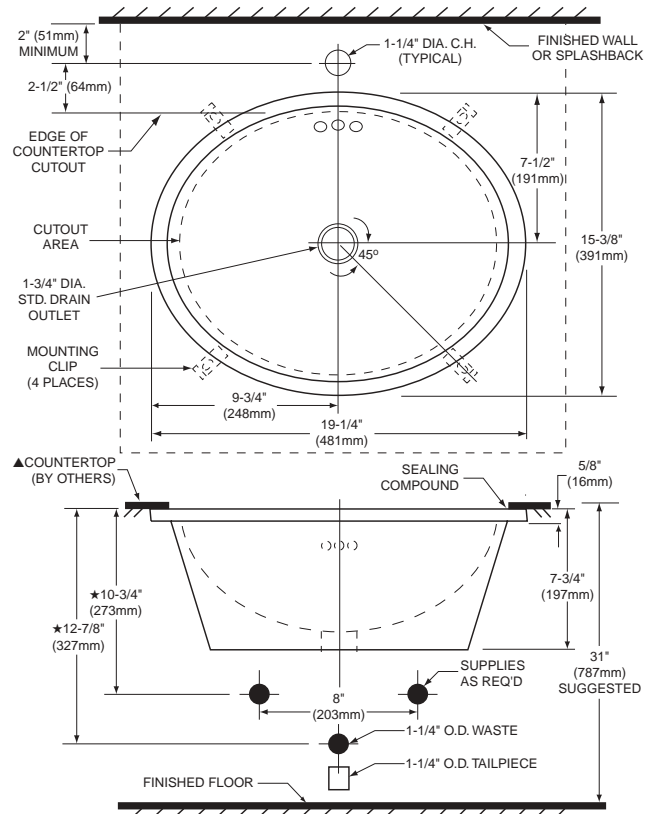
Nominal Overall Dimensions:
19-1/4" x 15-3/4" (489 x 400mm)

Bowl Inside Dimensions:
17-1/4" (438mm) wide
13-1/2" (343mm) front to back
5-3/4" (146mm) depth

**Fixture Dimensions conform to ANSI Standard
A112.19.2M**

To Be Specified

- Color:
- Faucet:
- Faucet Finish:
- Supplies:
- 1-1/4" Trap:
- Nipple:



NOTES:

- ★ DIMENSIONS SHOWN FOR LOCATION OF SUPPLIES AND "P" TRAP ARE SUGGESTED.
- ▲ FOR COUNTERTOP CUTOUT, USE BASIN AS A TEMPLATE TO DETERMINE PROPER SHAPE AND CUT COUNTERTOP OPENING 1-1/2" (38mm) INSIDE BASIN CONTOUR. FITTINGS NOT INCLUDED AND MUST BE ORDERED SEPARATELY.
- UNDERCOUNTER MOUNTING KIT AND INSTALLATION INSTRUCTIONS SUPPLIED WITH LAV.

IMPORTANT: Dimensions of fixtures are nominal and may vary within the range of tolerances established by ANSI Standard A112.19.2M. These measurements are subject to change or cancellation. No responsibility is assumed for use of superseded or voided pages.