

SAFFORD UNDERCOUNTER LAVATORY, MODEL 11040

- Clean, contemporary design
- Vitreous china construction
- Full color range (see Price Book)
- With integral overflow
- Rim for undercounter mounting
- Supplied with mounting kit #047194-007A
- Less fittings deck (counter-mounted fittings)

Nominal Overall Dimensions:

21" x 15-1/4" (533 x 387mm)

Bowl Inside Dimensions:

18-1/4" (463mm) wide

12-3/4" (343mm) front to back

7" (146mm) depth

Fixture Dimensions conform to ANSI Standard

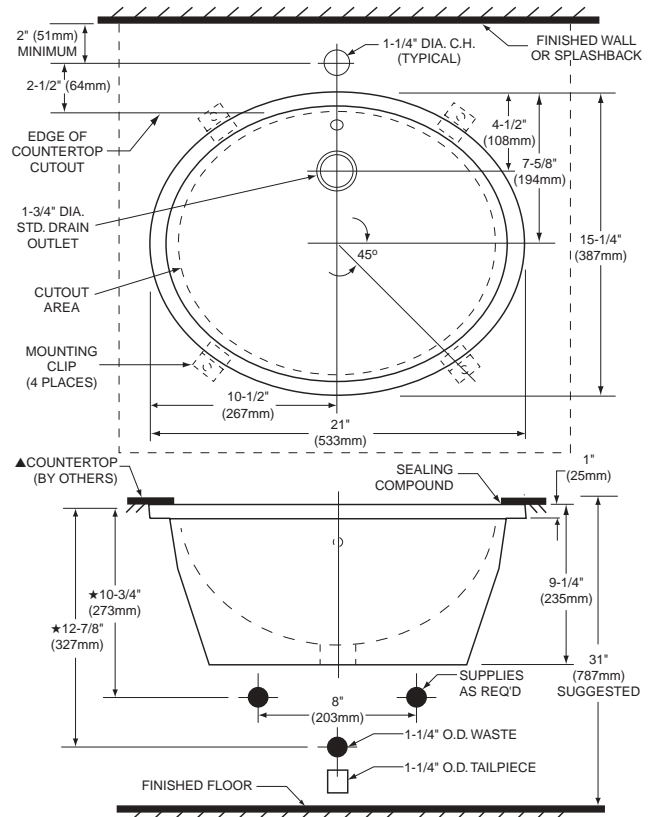
A112.19.2M



Undercounter Lavatories

To Be Specified

- Color:
- Faucet:
- Faucet Finish:
- Supplies:
- 1-1/4" Trap:
- Nipple:



NOTES:

★ DIMENSIONS SHOWN FOR LOCATION OF SUPPLIES AND "P" TRAP ARE SUGGESTED.

▲ FOR COUNTERTOP CUTOUT, USE BASIN AS A TEMPLATE TO DETERMINE PROPER SHAPE AND CUT COUNTERTOP OPENING 1-1/2" (38mm) INSIDE BASIN CONTOUR.

FITTINGS NOT INCLUDED AND MUST BE ORDERED SEPARATELY.

UNDERCOUNTER MOUNTING KIT AND INSTALLATION INSTRUCTIONS SUPPLIED WITH LAV.

IMPORTANT: Dimensions of fixtures are nominal and may vary within the range of tolerances established by ANSI Standard A112.19.2M. These measurements are subject to change or cancellation. No responsibility is assumed for use of superseded or voided pages.