

ARCHIVE ROUND UNDERCOUNTER LAVATORY, MODEL 11070

- Round undercounter mount sink
- Front overflow
- Unglazed rim for undercounter mounting
- Supplied with mounting kit and template #047194-007A
- Full color range (see Price Book)

Nominal Dimensions:

15-1/4" dia. x 6" (387 x 152mm)

Bowl sizes:

12-3/4" (324mm) wide, 4-3/8" (111mm) deep

Compliance Certifications –

Meets or Exceeds the Following Specifications:

ASME A112.19.2M for Vitreous China Fixtures

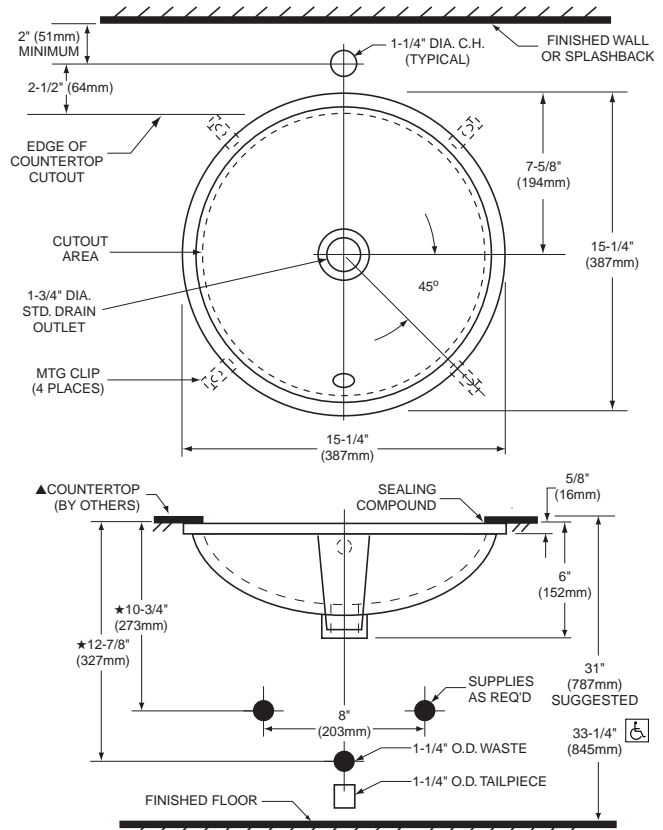
CAN/CSA B45 series



Undercounter Lavatories

To Be Specified

- Color:
- Faucet:
- Faucet Finish:
- Supplies:
- 1-1/4" Trap:
- Nipple:



MEETS THE AMERICAN DISABILITIES ACT GUIDELINES AND ANSI A117.1 ACCESSIBLE AND USABLE BUILDINGS AND FACILITIES - CHECK LOCAL CODES.

For Universal Design Options, top of counter may be mounted at 813mm (32") from finished floor to meet ADA and ANSI A117.1 requirements. A 864mm (34") mounting height is required for California title 24 and other more stringent knee space requirements. A 838mm (33") mounting height is required for Ontario. Check local codes for heights and faucet handle requirements.

NOTES:

★ DIMENSIONS SHOWN FOR LOCATION OF SUPPLIES AND "P" TRAP ARE SUGGESTED.

▲ FOR COUNTERTOP CUTOUT USE TEMPLATE SUPPLIED WITH SINK.

FITTINGS NOT INCLUDED AND MUST BE ORDERED SEPARATELY.

UNDERCOUNTER MOUNTING KIT AND INSTALLATION INSTRUCTIONS SUPPLIED WITH SINK.

IMPORTANT: Dimensions of fixtures are nominal and may vary within the range of tolerances established by ANSI Standard A112.19.2. These measurements are subject to change or cancellation. No responsibility is assumed for use of superseded or voided pages.