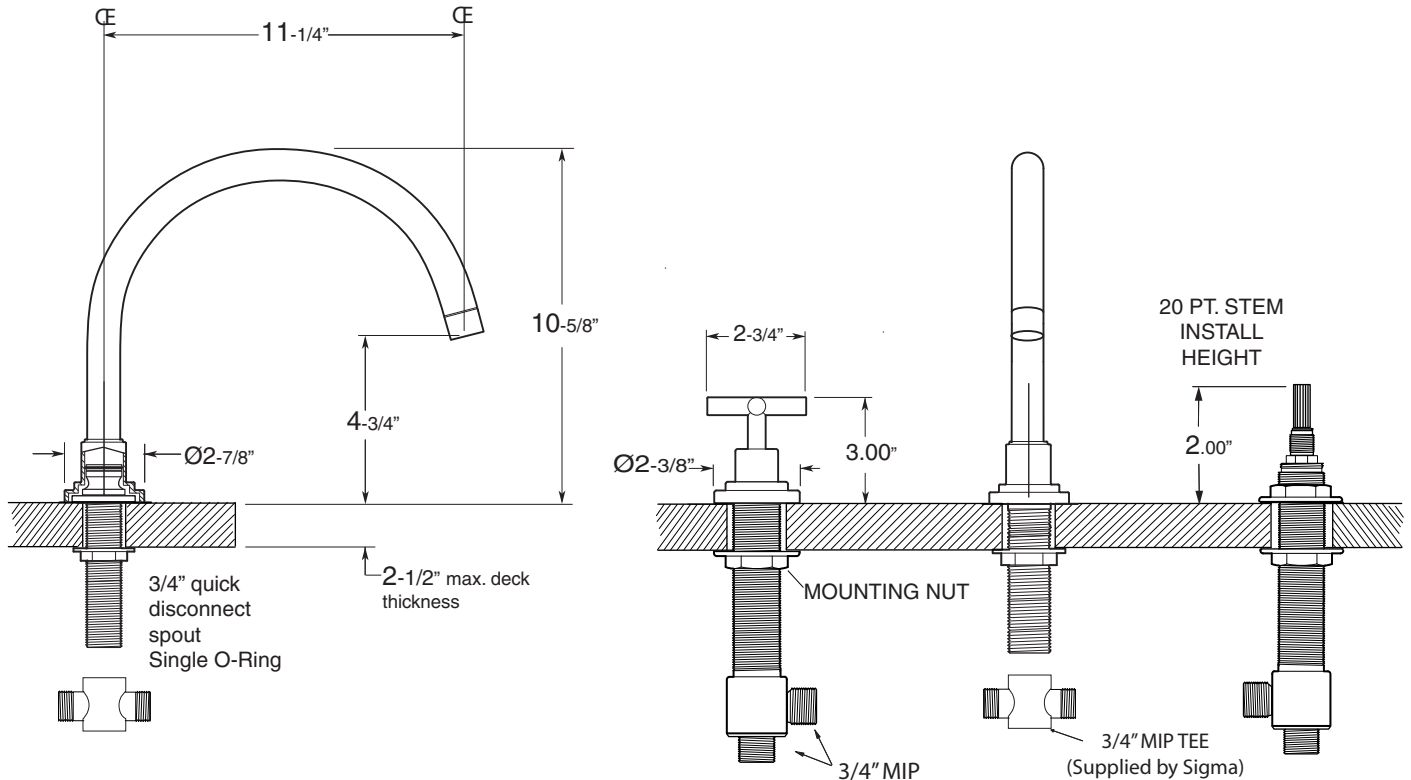


FEATURES:

- All brass construction.
- Cross handle style with inside screw attachment.
- 3/4" valve bodies with 20 PT. 1/4-turn ceramic disc cartridge.
- Available in all finishes. Warranty varies according to finish.
- Certified to meet and exceed the following codes and standards:
ASME A112.18.1-2005/CSAB 125.1-2005

(1.142377T - Trim only)



NOTE: Spout and valves install through 1-1/4" diameter holes.
Plumber to provide 3/4" supply lines to valves