

**FEATURES:**

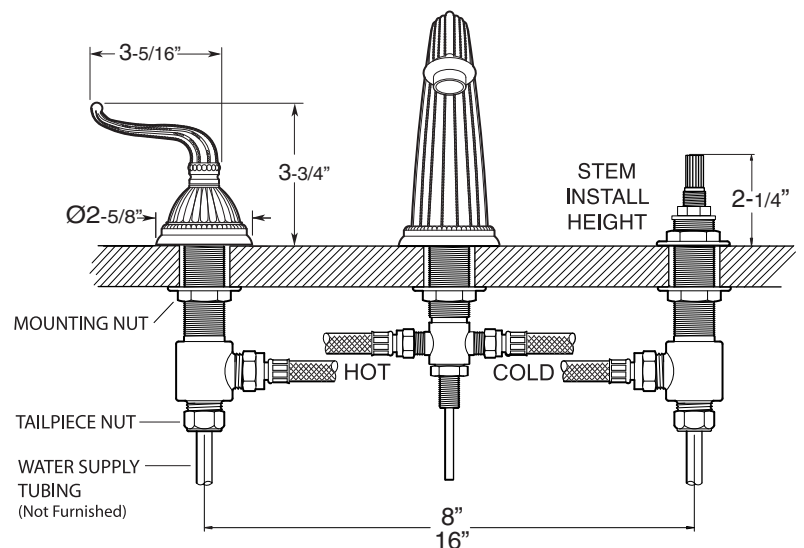
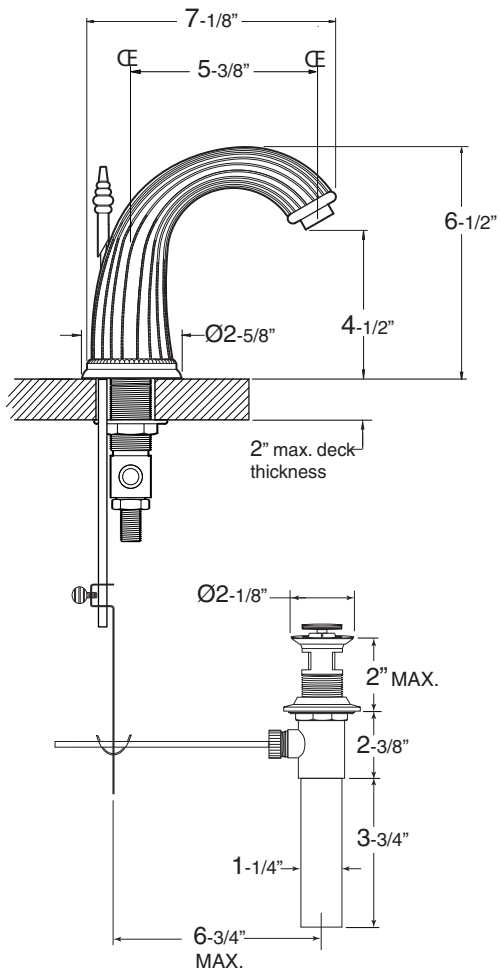
- All brass construction. Flexible hoses designed to be installed on 8" to 16" centers. Includes pop-up style drain assembly.
- Chased lever style handles with setscrew attachment.
- Quarter turn ceramic disc valve cartridge.
- Available in all finishes. Warranty varies according to finish selection.
- Standard aerator is limited to 2.2 gpm. Certified to meet LEED Watersense requirements upon request.
- Certified to meet and exceed the following codes and standards: ASME A112.18.1-2005/CSAB 125.1-2005

**Specifications**

*Series 1200/2200*

**Jefferson Elite**

**Widespread Lavatory Set  
1.225208**



**NOTE:** Spout and valves install through 1-1/4" diameter holes

Note: Measurements are subject to change or cancellation. No responsibility is assumed for use of superseded or voided pages.