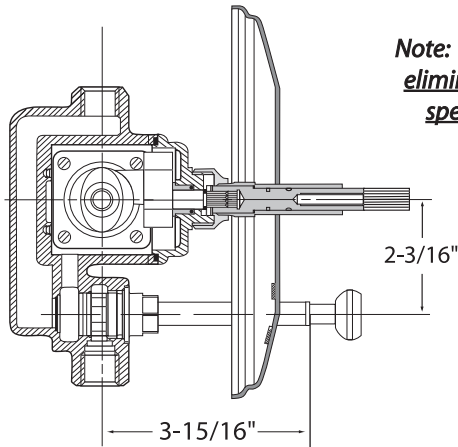
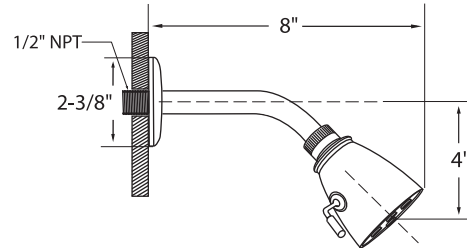


Pressure Balance Valve & Trim
Specifications
1500 Series

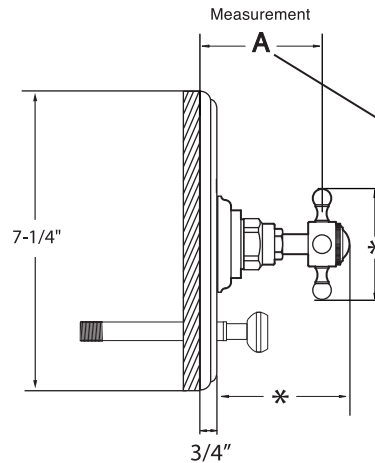
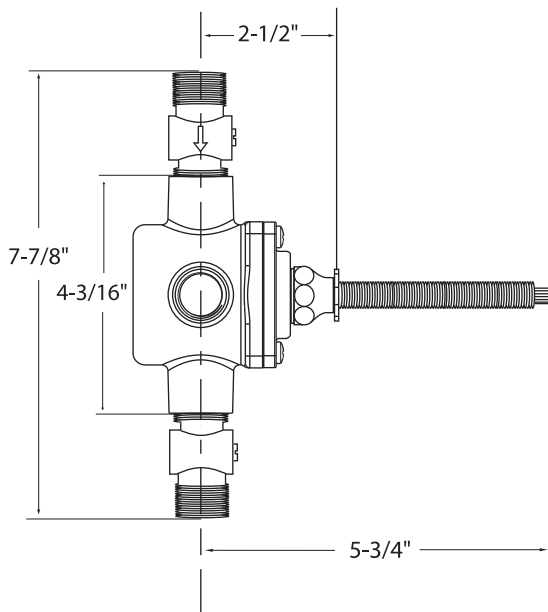
Cutaway View



**Note: For shower only application
eliminate diverter and tub spout
specifications from all views**

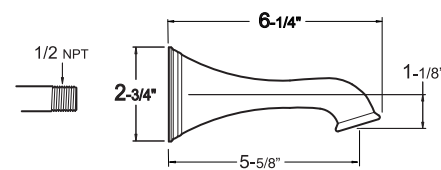


Top View



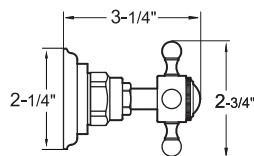
Note: Measurement A is the amount of stem required from finished wall for installation.
Huntington requires ___"
Sussex requires 3"
- See installation instructions

* Measurements vary by handle
SEE BELOW

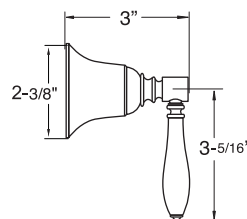


WALL MOUNT STANDARD

Handles



SUSSEX



HUNTINGTON