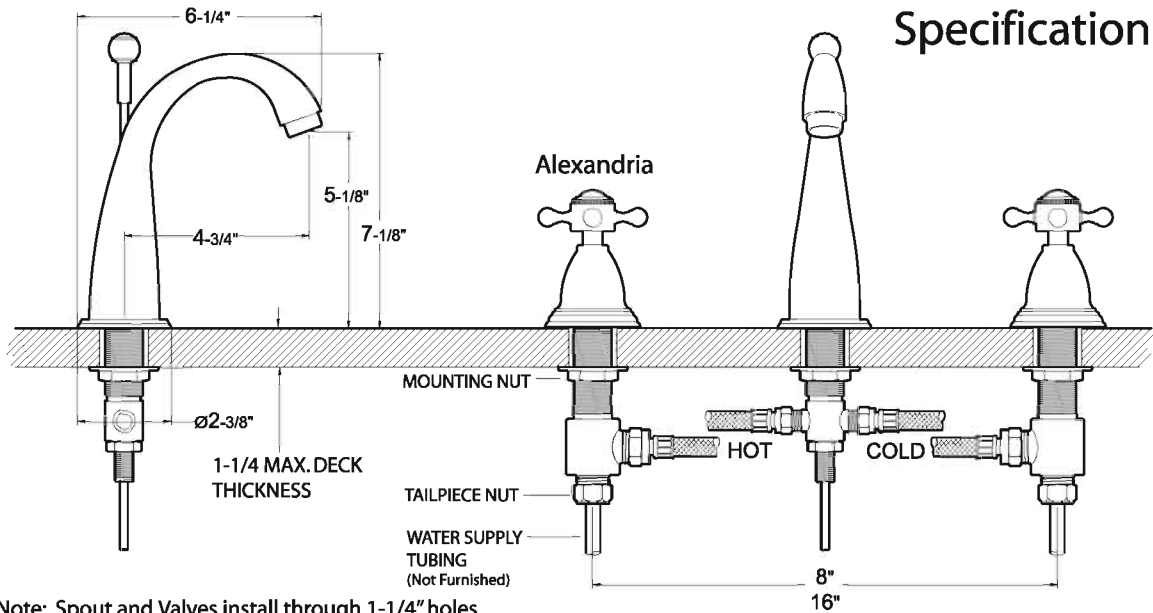


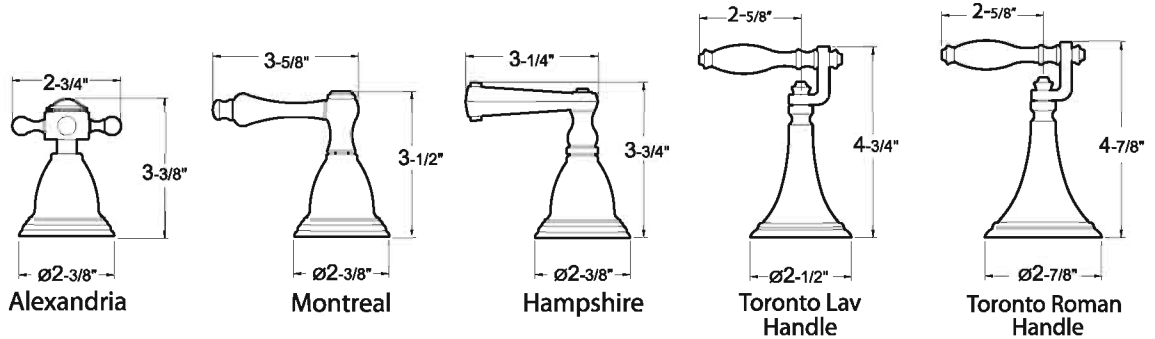
TechData
Series 200
Specifications

Widespread lavatory Set

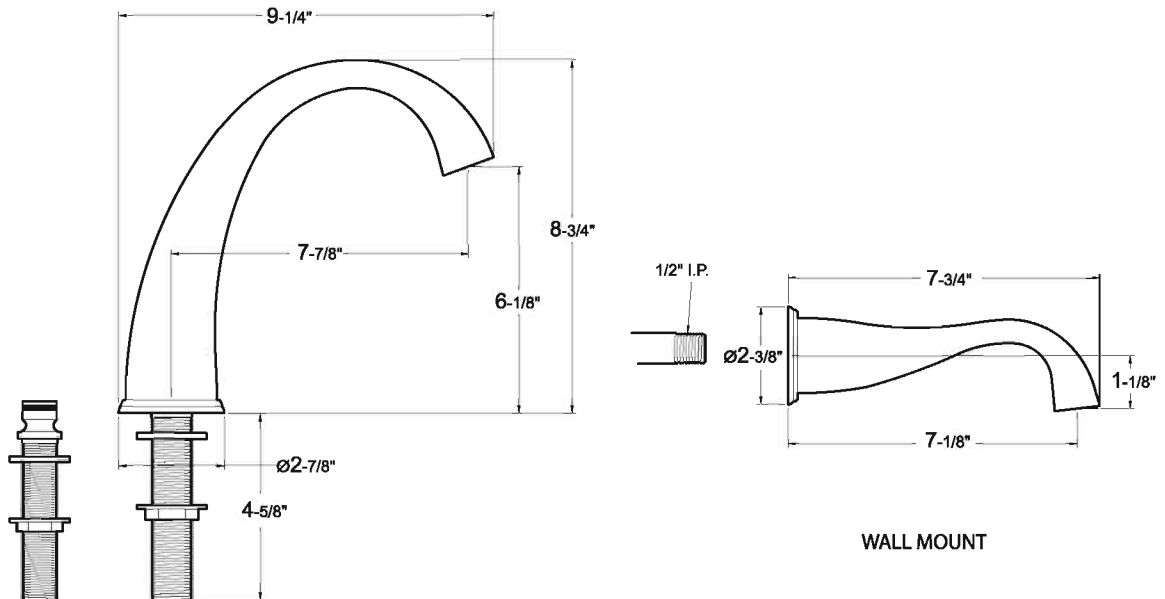


Note: Spout and Valves install through 1-1/4" holes

Handles



JBM 12-16-05 REV C Roman and Wall Spouts



18.15.043
Single O-Ring
Injector

DECK MOUNT

WALL MOUNT

American Faucet & Coatings Corporation

Tel: 760-598-5895

Tol Free Fax: 800-621-8383

customerservice@sigmafaucet.com