

BEDMINSTER 26" PEDESTAL LAVATORY, KIT# 24078

- Design-matched to Bedminster suite products
- Rope design front rim and pedestal base
- Vitreous china construction
- Available in white only
- Rear overflow with scalloped cover
- Backsplash and faucet ledge with integral soap recesses
- Made in England

Kit Components:

- 20078** Lavatory slab with 1-3/8" dia. holes on 8" (203mm) centers (for spread lavatory faucet only)
- 21070** Pedestal base only



Nominal Overall Dimensions:

26-1/4" x 21-1/4" x 36" (667 x 540 x 914mm)

36-3/4" (708mm) back ledge height

Open pedestal back

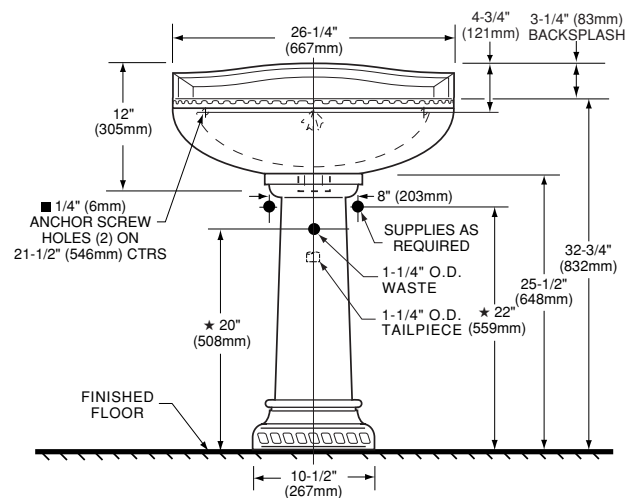
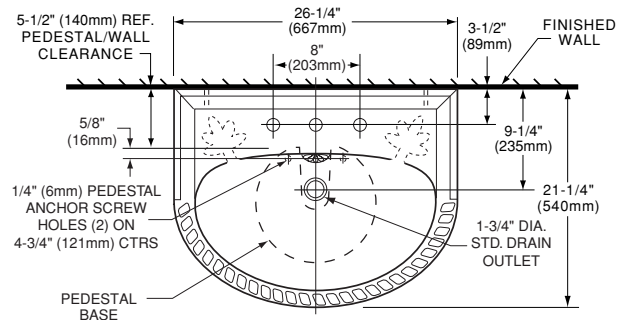
Bowl Inside Dimensions:

21-1/2" (546mm) wide

13" (330mm) front to back

7" (178mm) depth

Fixture Dimensions conform to ANSI Standard A112.19.2M



To Be Specified

- Faucet:
- Faucet Finish:
- Supplies:
- 1-1/4" Trap:
- Nipple:

NOTES:

- ★ DIMENSIONS SHOWN FOR LOCATION OF SUPPLIES AND "P" TRAP ARE SUGGESTED.
- FOR REINFORCEMENT ONLY. TAKE ACTUAL DIMENSIONS FROM FIXTURE.
- SLAB/PEDESTAL ANCHORS AND MOUNTING FEATURES TO BE FURNISHED BY OTHERS.
- PROVIDE SUITABLE REINFORCEMENT FOR ALL WALL SUPPORTS.
- FITTINGS NOT INCLUDED AND MUST BE ORDERED SEPARATELY.
- INSTALLATION INSTRUCTIONS SUPPLIED WITH LAVATORY.
- IMPORTANT: Dimensions of fixtures are nominal and may vary within the range "P" tolerances established by ANSI Standard A112.19.2M. These measurements are subject to change or cancellation. No responsibility is assumed for use of superseded or voided pages.