

SAPHO PEDESTAL LAVATORY, KIT# 2425X

- Design-matched to Veneto II™ suite products
- Fire clay china construction
- Available in white or biscuit only
- Chrome towel bar only
- With faucet ledge and rear overflow
- Made in France
- Faucet hole centers (1-3/8" dia.) listed below:

Kit Components:

- 20251 Lavatory with center hole only, chrome bars
- 20258 Lavatory with 8" centers, chrome bars
- 21190 Pedestal base only



Nominal Overall Dimensions:

26" x 20-1/2" x 33-1/2" (660 x 521 x 851mm)

27-1/2" wide with towel bars

Open pedestal back

Bowl Inside Dimensions:

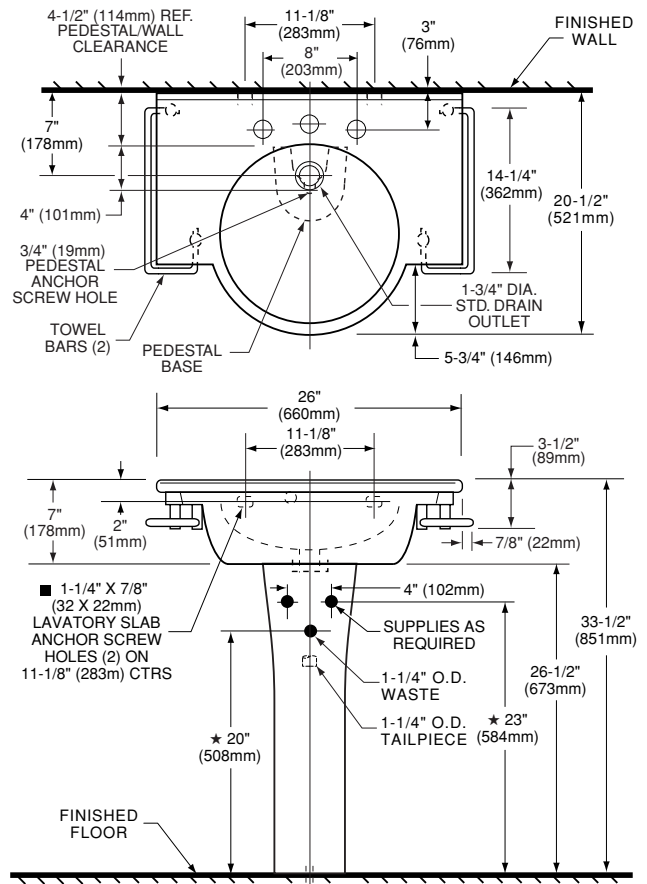
15-1/2" (394mm) diameter

5-3/4" (146mm) depth

Fixture Dimensions conform to ANSI Standard
A112.19.9M

To Be Specified

- Faucet:
- Faucet Finish:
- Supplies:
- 1-1/4" Trap:
- Nipple:



NOTES:

- ★ DIMENSIONS SHOWN FOR LOCATION OF SUPPLIES AND "P" TRAP ARE SUGGESTED.
- FOR REINFORCEMENT ONLY. TAKE ACTUAL DIMENSIONS FROM FIXTURE. SLAB ANCHORS AND MOUNTING FEATURES TO BE FURNISHED BY OTHERS. PROVIDE SUITABLE REINFORCEMENT FOR ALL WALL SUPPORTS. FITTINGS NOT INCLUDED AND MUST BE ORDERED SEPARATELY. INSTALLATION INSTRUCTIONS SUPPLIED WITH LAVATORY.

IMPORTANT: Dimensions of fixtures are nominal and may vary within the range "P" tolerances established by ANSI Standard A112.19.9M. These measurements are subject to change or cancellation. No responsibility is assumed for use of superseded or voided pages.