

GEOMETRIQUE CONE ABOVE-COUNTER BASIN, MODEL 32500

- Striking shape allows for personal style and creativity
- Light draws out the radiant beauty of the cast glass process at base
- 6" wide base for stability
- Design-coordinated with Porcher's wall-mounted Stemma faucet
- Chrome grid drain part #85010 included
- Made in USA

Nominal Overall Dimensions:

- 15-3/4" (400mm) top diameter
- 12-1/2" (318mm) above counter height
- 11-1/2" (292mm) inside bowl depth

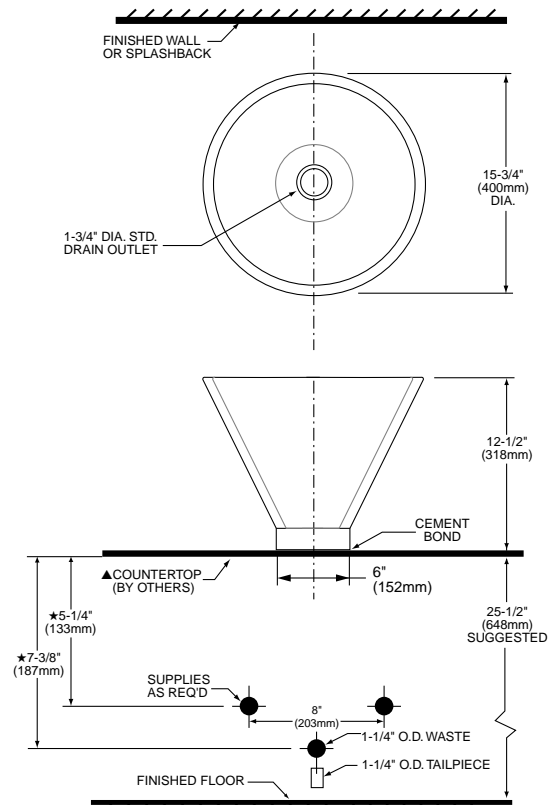
Bowl Inside Dimensions:

- 13-7/8" (352mm) diameter
- 11-1/4" (286mm) depth

Fixture Dimensions conform to ANSI Standard A112.19.2M



Shown with Stemma faucet (5339.451.002)



To Be Specified

- Color:
- Faucet:
- Faucet Finish:
- Supplies:
- 1-1/4" Trap:
- Nipple:

GLASS WARNING: Glass items are hand crafted and actual color and/or design may slightly vary. Changes in lighting may also effect appearance. Install with grid drain only.

CAUTION: Do not over-tighten. THE NUT ON THE DRAIN SET SHOULD BE FINGER TIGHTENED AND THEN TURNED NO MORE THAN ONE ADDITIONAL TURN. Silicone or a series of rubber gaskets will be used to create a water tight seal. The metal surfaces of the drain set should never come in contact with the glass (Doing so can cause stresses to build in the glass, which could later crack the glass).

NOTES:

- ★ DIMENSIONS SHOWN FOR LOCATION OF SUPPLIES AND "P" TRAP ARE SUGGESTED.
- ▲ FOR COUNTERTOP CUTOUT, REFER TO INSTALLATION INSTRUCTIONS SUPPLIED WITH LAVATORY. FITTINGS NOT INCLUDED AND MUST BE ORDERED SEPARATELY.

IMPORTANT: Dimensions of fixtures are nominal and may vary within the range of tolerances established by ANSI Standard A112.19.2M. These measurements are subject to change or cancellation. No responsibility is assumed for use of superseded or voided pages.