

GALLETO SLATE BASIN, MODEL 32720

- Innovative sculptural shape
- For use as an above counter basin
- Made of a solid piece of volcanic slate
- Each piece has its own unique veining
- Honed finish provides a soft feel
- Available in dark grey slate (700)
- Made in Italy

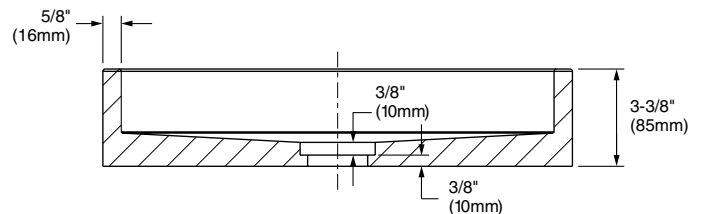
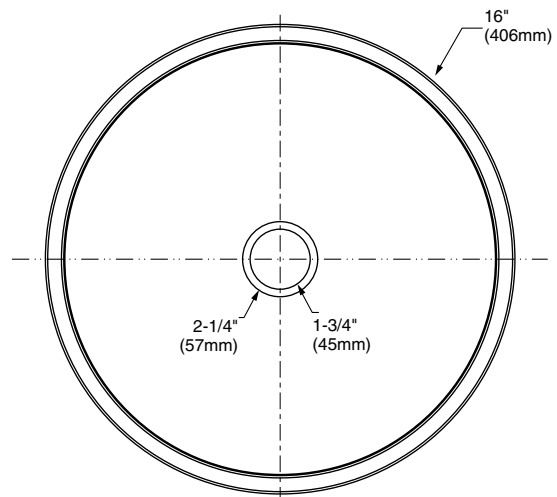
Nominal Dimensions:

16" x 16" x 3-3/8"
(406 x 406 x 85mm)



To Be Specified

- Faucet:
- Faucet Finish:
- Supplies:
- 1-1/4" Trap:
- Nipple:



NOTES:

- ★ DIMENSIONS SHOWN FOR LOCATION OF SUPPLIES AND "P" TRAP ARE SUGGESTED.
- ▲ FOR COUNTERTOP CUTOUT, REFER TO INSTALLATION INSTRUCTIONS SUPPLIED WITH LAVATORY. FITTINGS NOT INCLUDED AND MUST BE ORDERED SEPARATELY.

IMPORTANT: Dimensions of fixtures are nominal and may vary within the range of tolerances established by ANSI Standard A112.19.2M. These measurements are subject to change or cancellation. No responsibility is assumed for use of superseded or voided pages.