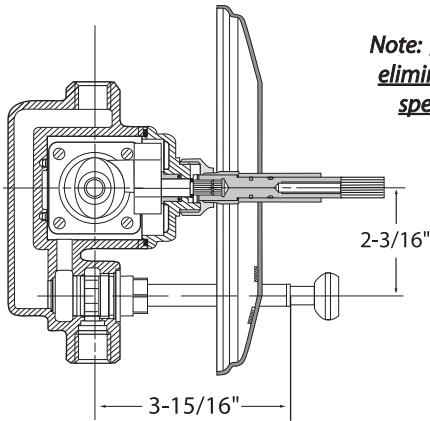
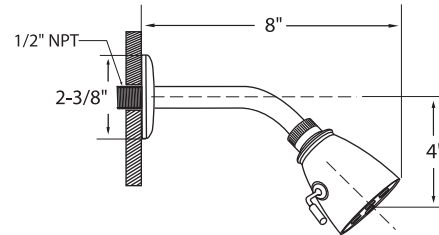


Pressure Balance Valve & Trim  
Specifications  
400 Series

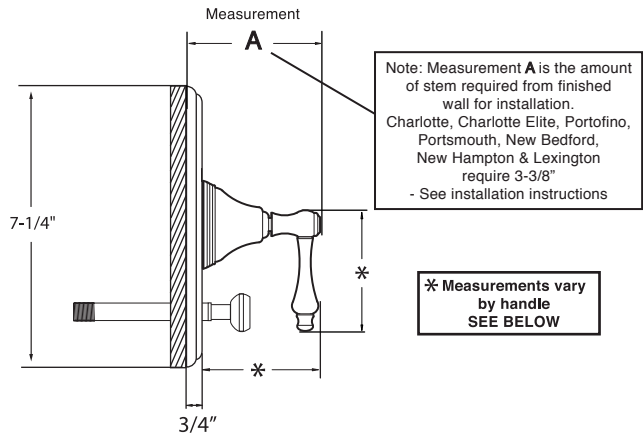
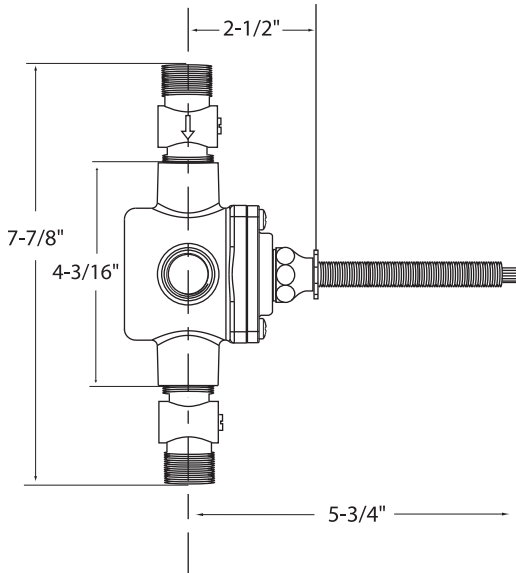
Cutaway View



**Note: For shower only application  
eliminate diverter and tub spout  
specifications from all views**

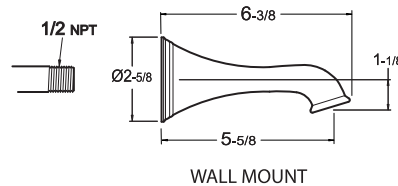


Top View

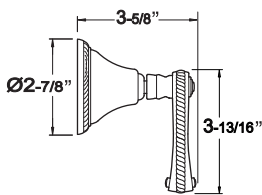


Note: Measurement **A** is the amount of stem required from finished wall for installation.  
Charlotte, Charlotte Elite, Portofino, Portsmouth, New Bedford, New Hampton & Lexington require 3-3/8\"

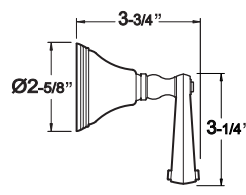
\* Measurements vary by handle  
SEE BELOW



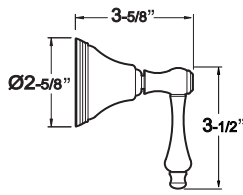
Handles



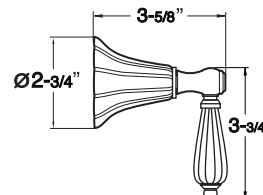
Charlotte Elite



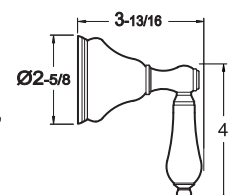
Charlotte



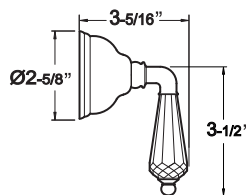
Lexington



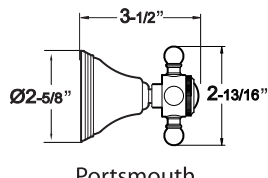
New Bedford



New Hampton



Portofino



Portsmouth