



BT784B - Clayton™ Bidet

- Traditional styling with classic details.
- Designed for deck mounted bidet faucet with diverter and vacuum breaker.
- Clayton™ Design Suite: Designed with matching toilet, lavatories, bidet, and bathtub.
- Integral overflow

Vitreous china bidet with flushing rim and vertical spray. Designed for deck mounted bidet faucet with diverter and vacuum breaker. Complete with mounting bolt caps.

■ **BT784B**

Bidet for Clayton™ Design Suite: Designed with matching toilet, lavatories, bidet, and bathtub.

Colors:

Standard #01 Cotton

Optional See price book for additional colors

Bidet Faucet Not Included

BT784B Clayton™ Bidet

DESIGN

Designed to coordinate with TOTO's® Clayton™ Design Suite, the Clayton™ bidet complements the most traditional of homes. Durable vitreous china offers years of quality use.

SPECIFICATIONS

Waste: 1-1/4" O.D
 Size: 25-1/2"L x 14-1/8"W
 Height: 15"
 Faucet: With flushing rim and vertical spray. Designed for deck mounted bidet faucet with diverter and vacuum breaker.

Warranty: Five Year Limited Warranty
 Material: Vitreous china

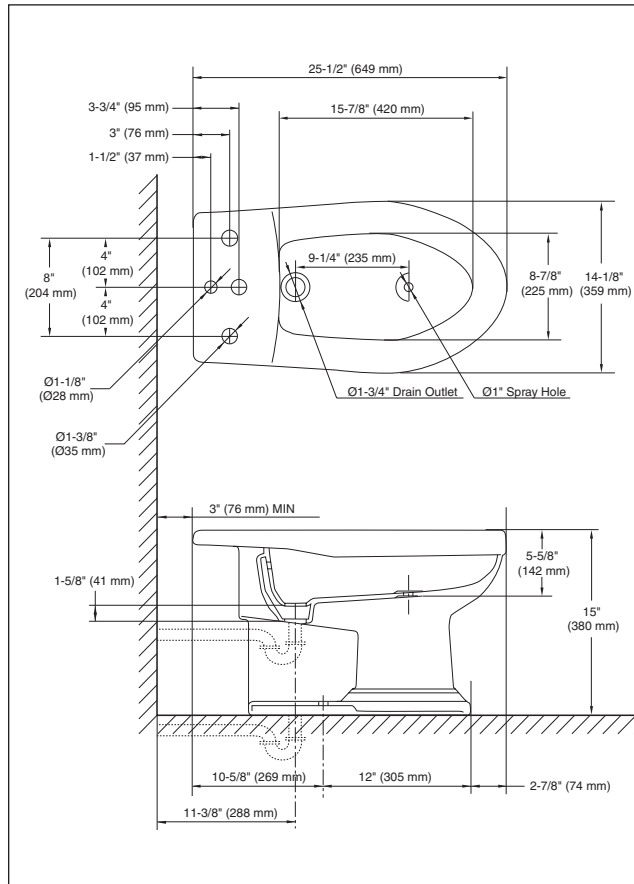
Shipping Weight: **BT784B**
 48 lbs.

Shipping Dimensions: **BT784B**
 16"L x 15"W¹
 x 12"W² x 26-1/2"H

Fixture dimensions and hydraulic performance meet or exceed ANSI/ASME standard A112.19.2M and CAN/CSA B 45 requirements.

Listing / Approvals: IAPMO/UPC, CSA, City of Los Angeles, State of Massachusetts, and others.

These dimensions and specifications are subject to change without notice.



BT784B - Clayton™ Bidet