

BEDMINSTER ELONGATED 2-PIECE TOILET KIT# 9005X

- Design-matched to Bedminster Suite products
- Victorian-style 2-piece design with rope trim on raised tank cover and pedestal
- Close-coupled tank with side-mounted chrome or polished brass trip lever
- Available in white only
- Low-consumption, quiet refill (1.6 gpf/6.0 Lpf)
- Elongated siphon action bowl with concealed trapway
- Internal trapway area fully glazed
- 100% factory flush tested
- Includes color-matched bolt caps
- Includes designer-matched wood seat with chrome or polished brass hinges



Toilet Combination Part Number:

- 90050 Toilet complete with chrome lever
- 90052 Toilet complete with brass lever
- 90055 Toilet complete with brushed nickel lever
- 90058 Toilet complete with polished nickel lever

Tank Number only:

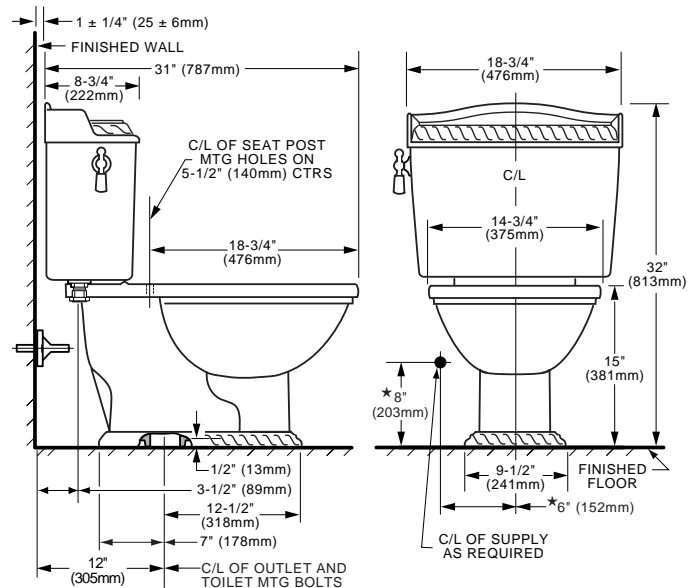
- 41040 Toilet tank with chrome lever
- 41042 Toilet tank with brass lever
- 41045 Toilet tank with brushed nickel lever
- 41048 Toilet tank with polished nickel lever

Bowl Number only:

- 40040 Toilet bowl, elongated

Nominal Overall Dimensions:

31" x 18-3/4" x 32" (787 x 476 x 813mm)



Toilets

To Be Specified

- Color:
- Supply with stop:
- Seat: Wood elongated
 - #71020 Seat & cover chrome hinges
 - #71022 Seat & cover polished brass hinges
 - #71028 Seat & cover polished nickel hinges
 - #71025 Seat & cover brushed nickel hinges

Hydraulic performance, water surface area, trap seal depth, ballpass diameter, and all fixture dimensions meet or exceed ANSI Standard A112.19.2M requirements.

NOTES:

THIS TOILET IS DESIGNED TO ROUGH-IN AT A MINIMUM DIMENSION OF 12" (305MM) FROM FINISHED WALL TO C/L OF OUTLET. SUPPLY NOT INCLUDED WITH FIXTURE AND MUST BE ORDERED SEPARATELY. ★ DIMENSIONS SHOWN FOR LOCATION OF SUPPLY ARE SUGGESTED.

IMPORTANT: Dimensions of fixtures are nominal and may vary within the range of tolerances established by ANSI Standard A112.19.2M. These measurements are subject to change or cancellation. No responsibility is assumed for use of superseded or voided pages.