

BELLE TERRA COUNTERTOP LAVATORY, MODEL 10060

- Sculpted design
- Vitreous china construction
- Full color range (see Price Book)
- With integral overflow
- Self-rimming installation
- Cutout template included
- Less fittings deck (counter-mounted fittings)

Nominal Overall Dimensions:

17-1/4" x 14-1/4" (438 x 362mm)

Bowl Inside Dimensions:

15-1/4" (387mm) wide

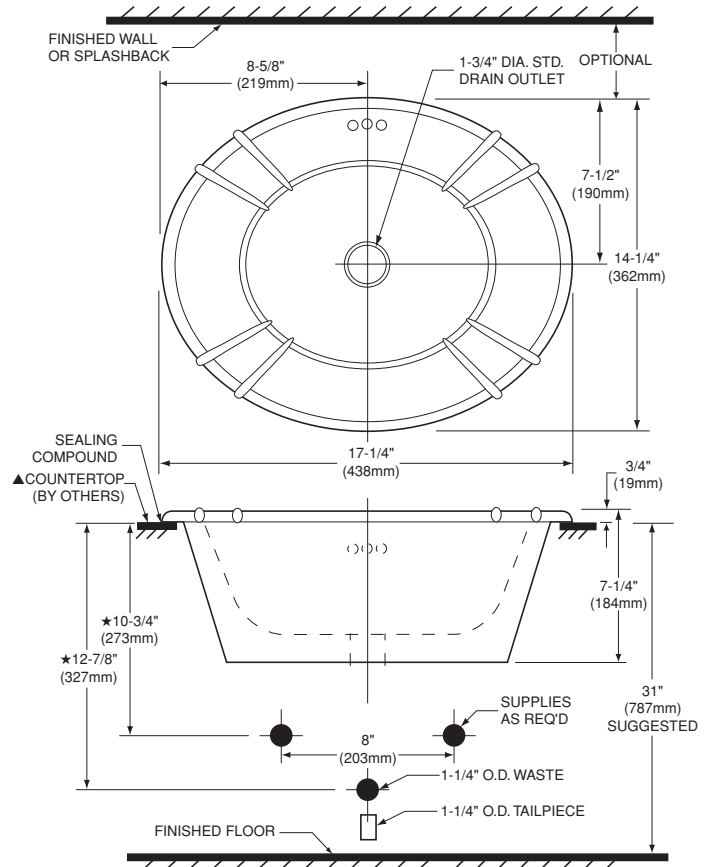
12" (305mm) front to back

5-1/4" (133mm) depth

Fixture Dimensions conform to ANSI Standard
A112.19.2M

To Be Specified

- Color:
- Faucet:
- Faucet Finish:
- Supplies:
- 1-1/4" Trap:
- Nipple:



NOTES:

- ★ DIMENSIONS SHOWN FOR LOCATION OF SUPPLIES AND "P" TRAP ARE SUGGESTED.
- ▲ FOR COUNTERTOP CUTOUT AND INSTALLATION INSTRUCTIONS, USE TEMPLATE SUPPLIED WITH LAVATORY. FITTINGS NOT INCLUDED AND MUST BE ORDERED SEPARATELY.

IMPORTANT: Dimensions of fixtures are nominal and may vary within the range of tolerances established by ANSI Standard A112.19.2M. These measurements are subject to change or cancellation. No responsibility is assumed for use of superseded or voided pages.