

CHIPPERFIELD PRESSURE BALANCE BATH/SHOWER, MODEL 5120.6XX

- Contemporary styling
- Cast brass valve body
- Washerless ceramic disc valve cartridge cycles from "Off" to "Hot" to "Cold"
- Pressure balance cartridge maintains constant output temperature in response to changes in relative hot and cold supply pressures
- Integral diverter provides positive shutoff allowing for use with 2 applications. (For example, showerhead and handspray or showerhead and tub spout.)
- One valve body with optional diverter plug allows for quick conversion from Bath/Shower to Shower Only
- Hot and cold can be reversed quickly and easily for back-to-back installations
- Wide roughin range from 1-5/8" to 3-1/4"
- Adjustable hot limit safety stop included
- 1/2" NPT inlets and outlets
- Includes escutcheon plate and plaster guard (which can serve as a thin wall support)
- Available in Chrome only

5120.601 Shower Only

5120.602 Bath/Shower

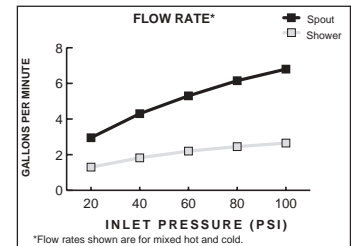


Showerhead Maximum Flow Rate: 2.5 gpm (9.5L/min.)

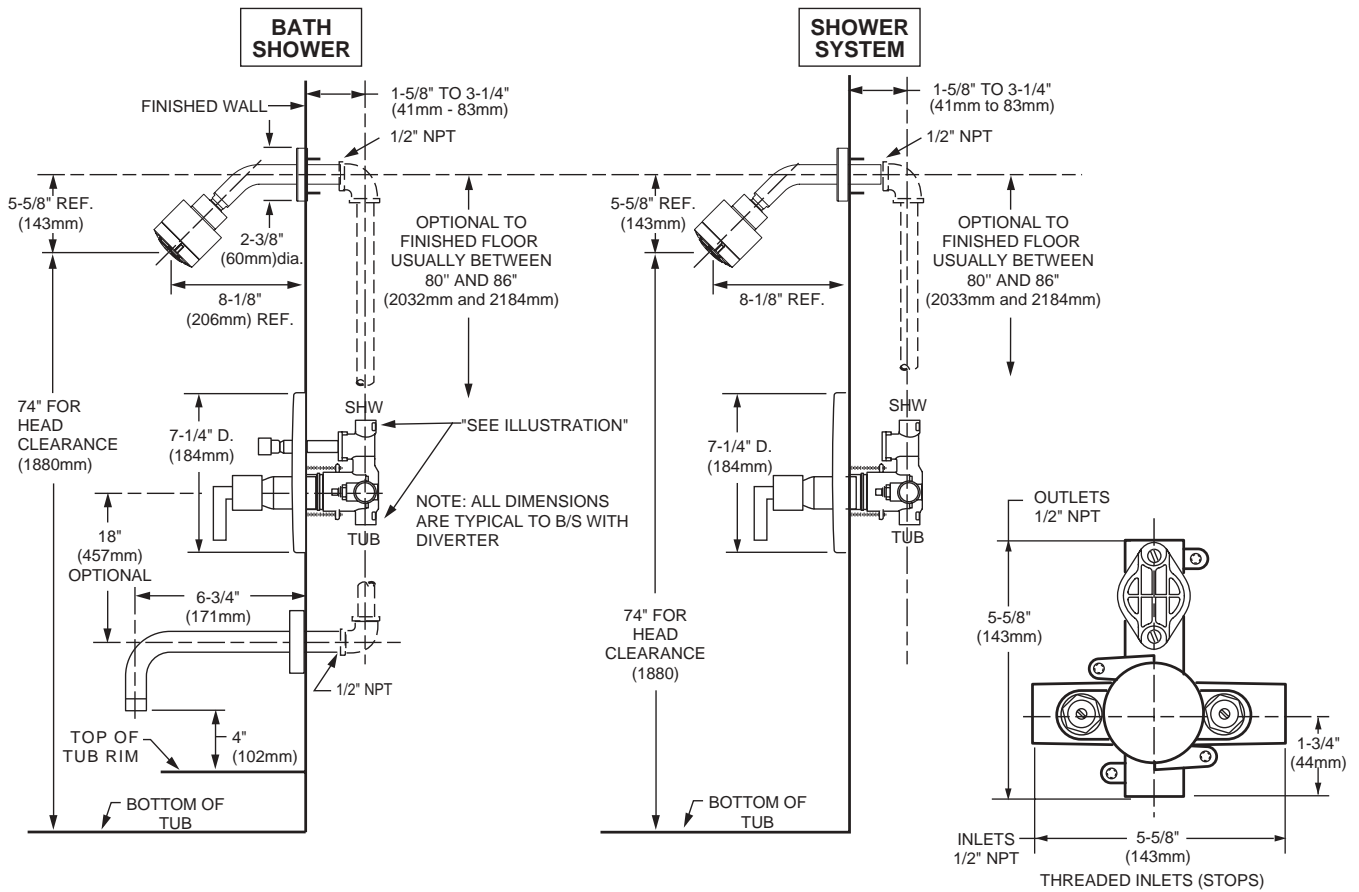
CODES AND STANDARDS

These products meet or exceed the following codes and standards:

ANSI A117.1
ASME A112.18.1
CSA B125
ASSE 1016



ROUGHIN DIAGRAM
SHOWN ON
REVERSE SIDE



NOTES:
INSTALLATION INSTRUCTIONS SUPPLIED WITH FAUCET ASSEMBLY.

IMPORTANT: Dimensions of faucets are nominal and may vary within the range of tolerances established by ANSI Standard A112.18.1. These measurements are subject to change or cancellation. No responsibility is assumed for use of superseded or voided pages.