

## CLASSIC COUNTERTOP LAVATORY, MODEL 10268

- Traditional design
- Vitreous china construction
- Available in white only
- With front overflow
- Self-rimming installation
- Cutout template included
- Faucet ledge
- Faucet holes on 8" (203mm) centers only
- Made in Italy

### Nominal Overall Dimensions:

25" x 21-1/4" (635 x 540mm)

### Bowl Inside Dimensions:

20-1/4" (514mm) wide

13" (330mm) front to back

6-3/4" (171mm) depth

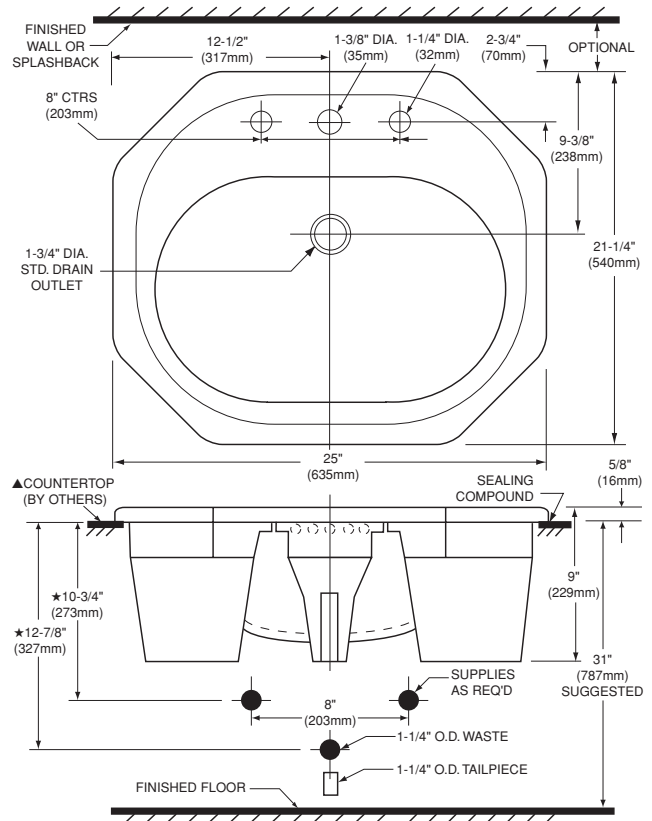
Fixture Dimensions conform to ANSI Standard  
A112.19.2M

### To Be Specified

- Color:
- Faucet:
- Faucet Finish:
- Supplies:
- 1-1/4" Trap:
- Nipple:



Countertop Lavatories



### NOTES:

- ★ DIMENSIONS SHOWN FOR LOCATION OF SUPPLIES AND "P" TRAP ARE SUGGESTED.
- ▲ FOR COUNTERTOP CUTOUT AND INSTALLATION INSTRUCTIONS, USE TEMPLATE SUPPLIED WITH LAVATORY. FITTINGS NOT INCLUDED AND MUST BE ORDERED SEPARATELY.

IMPORTANT: Dimensions of fixtures are nominal and may vary within the range of tolerances established by ANSI Standard A112.19.2M. These measurements are subject to change or cancellation. No responsibility is assumed for use of superseded or voided pages.