

CANTRIO KONCEPTS SPECIFICATION SHEET

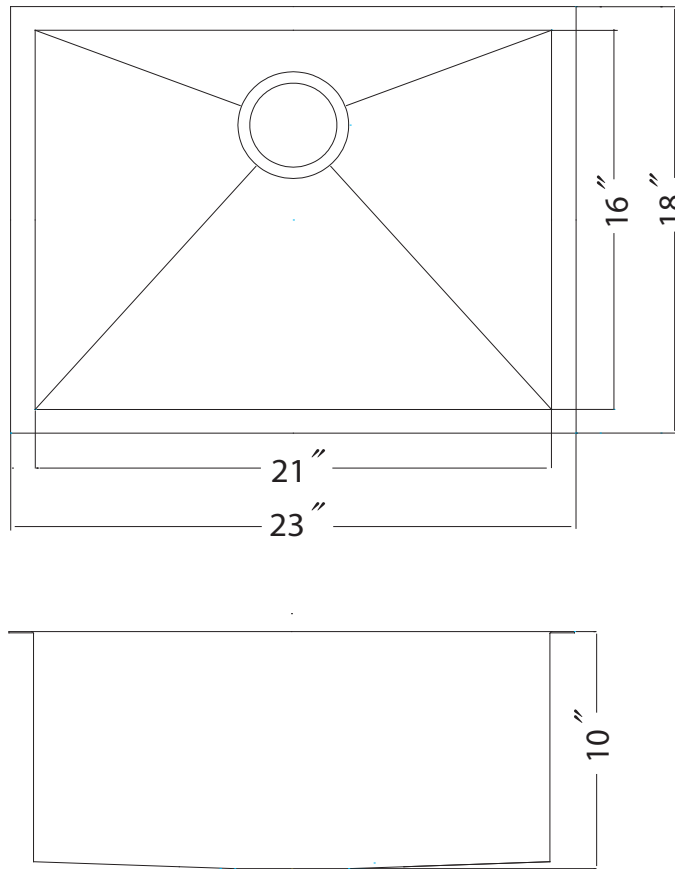
KSS-005

PRODUCT DESCRIPTION:

- 304 Stainless Steel
- 18 Gauge
- Nickel Content 18/10
- For Undermount or self rimming use
- With undercoating & padding
- Drain Opening 3-1/2"
- Strainer drains included
- Mounting clips included

CODES / STANDARDS APPLICABLE

- CSA B45
- ASME A112.19.2



Specifications and drawings provided on this sheet are for illustration only. Cantrio Concepts will not be held responsible for cutouts made without the actual product or product template.