

CANTRIO KONCEPTS SPECIFICATION SHEET

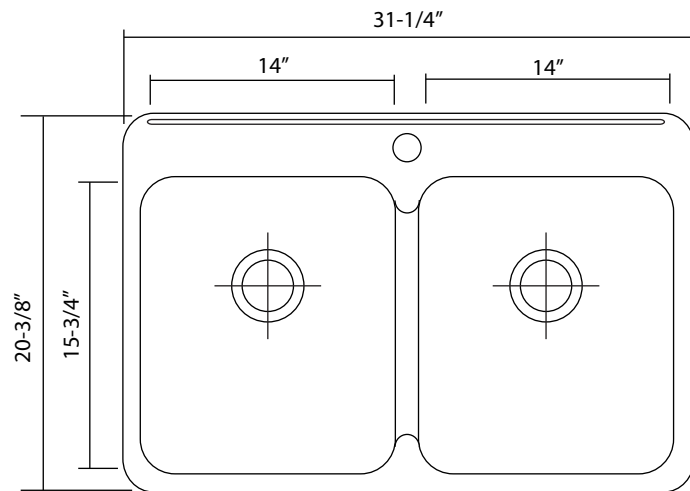
KSS-522

PRODUCT DESCRIPTION:

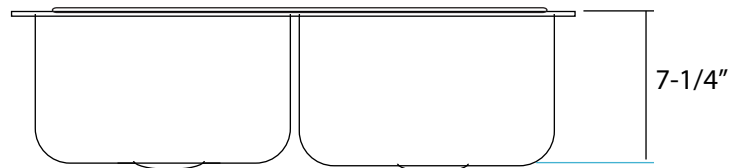
- 304 Stainless Steel
- 19 Gauge
- Nickel Content 18/10
- For self rimming use
- With undercoating & padding
- Drain Opening 3-1/2"
- Strainer drains included
- Mounting clips included
- Spillway Ledge

CODES / STANDARDS APPLICABLE

- CSA B45
- ASME A112.19.2



TOP VIEW



SIDE VIEW

Specifications and drawings provided on this sheet are for illustration only. Cantrio Concepts will not be held responsible for cutouts made without the actual product or product template.