

LUTEZIA BIDET, MODEL 50148

- Designed to match the Lutezia and Pomezia™ Suite of products
- Vitreous china
- Flushing rim and vertical cleansing spray
- Integral overflow
- Supplied with china bolt caps
- Available in white or biscuit colors

Nominal Overall Dimensions:

25-1/2" x 15-9/32" x 15-1/2" (648 x 388 x 394mm)

Bowl Inside Dimensions:

14-1/4" (362mm) front to back

9-7/8" (251mm) wide

5-1/4" (133mm) depth

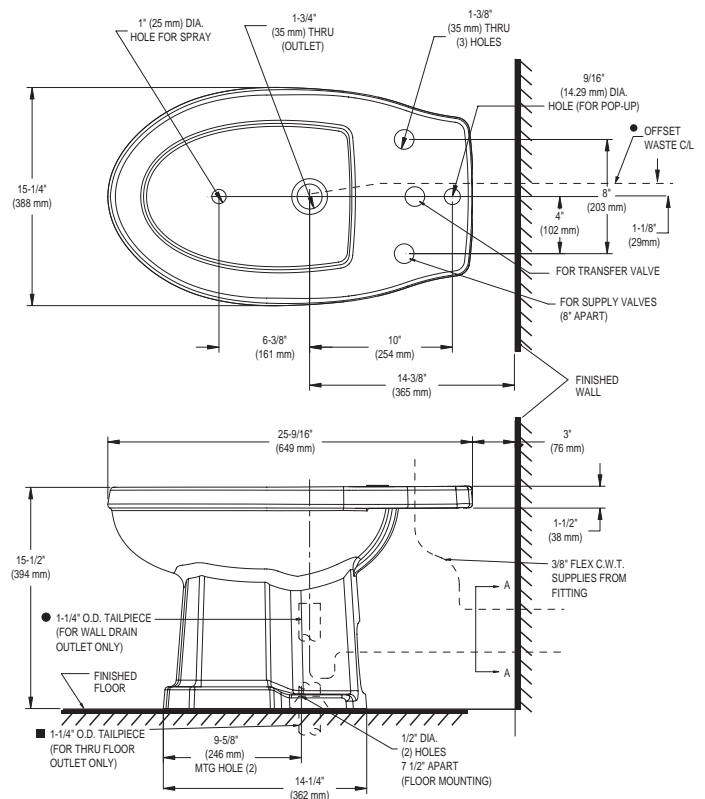
Fixture Dimensions conform to ANSI

Standard A112.19.2M



To Be Specified

- Color:
- Bidet Fitting:
- Fitting Finish:
- Supplies with Stops:
- 1-1/4" Trap:



NOTES:

- ★ DIMENSIONS SHOWN FOR LOCATION OF SUPPLIES AND "P" TRAP ARE SUGGESTED.
- WALL OUTLET INSTALLATION REQUIRES:
 - A TRUE 1-1/4" BODIED "P" TRAP; DO NOT USE A UNIVERSAL 1-1/4" X 1-1/2" TRAP.
 - DRAIN TAILPIECE LENGTH MUST BE CUT TO 1-1/2" (38mm) MAXIMUM TO PROVIDE CLEARANCE BETWEEN BASE OF P-TRAP AND FLOOR.
 - DRAIN CONNECTION TO WALL OUTLET IS OFFSET TO PREVENT INTERFERENCE WITH OPERATION OF POP-UP DRAIN LIFT ROD.
- THRU-FLOOR OUTLET INSTALLATION (ALTERNATE). "P" TRAP AND FITTINGS NOT INCLUDED AND MUST BE ORDERED SEPARATELY. REFER TO INSTALLATION INSTRUCTIONS SUPPLIED WITH BIDET FOR ADDITIONAL INFORMATION.

IMPORTANT: Dimensions of fixtures are nominal and may vary within the range of tolerances established by ANSI Standard A112.19.2M. These measurements are subject to change or cancellation. No responsibility is assumed for use of superseded or voided pages.

