

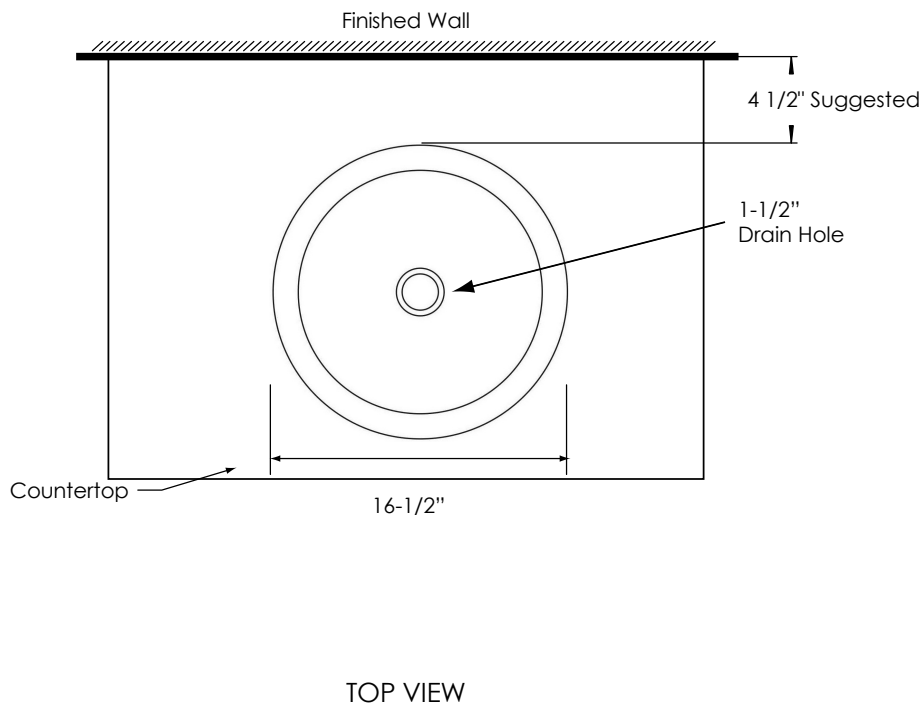
SPECIFICATION SHEET

Product Description

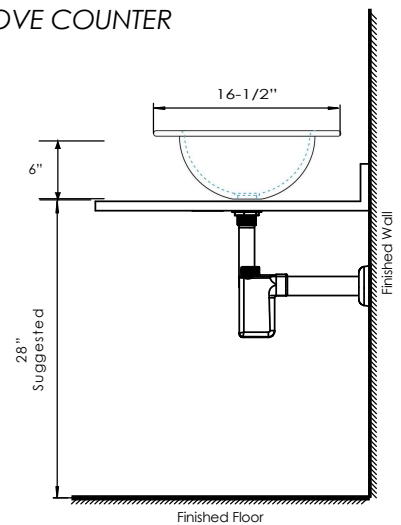
MS-007

- Hand Hammered Copper
- Antique Copper finish
- 16 Gauge
- For undermount or above counter use

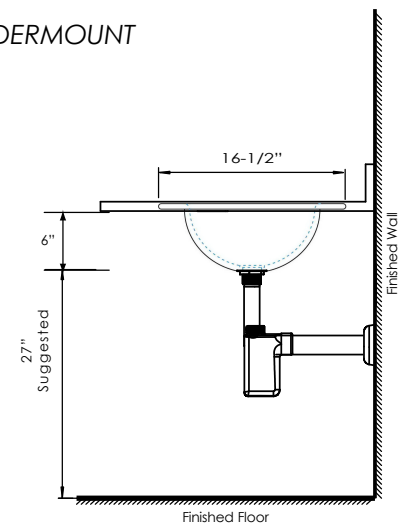
Dimensions



ABOVE COUNTER



UNDERMOUNT



SIDE VIEW