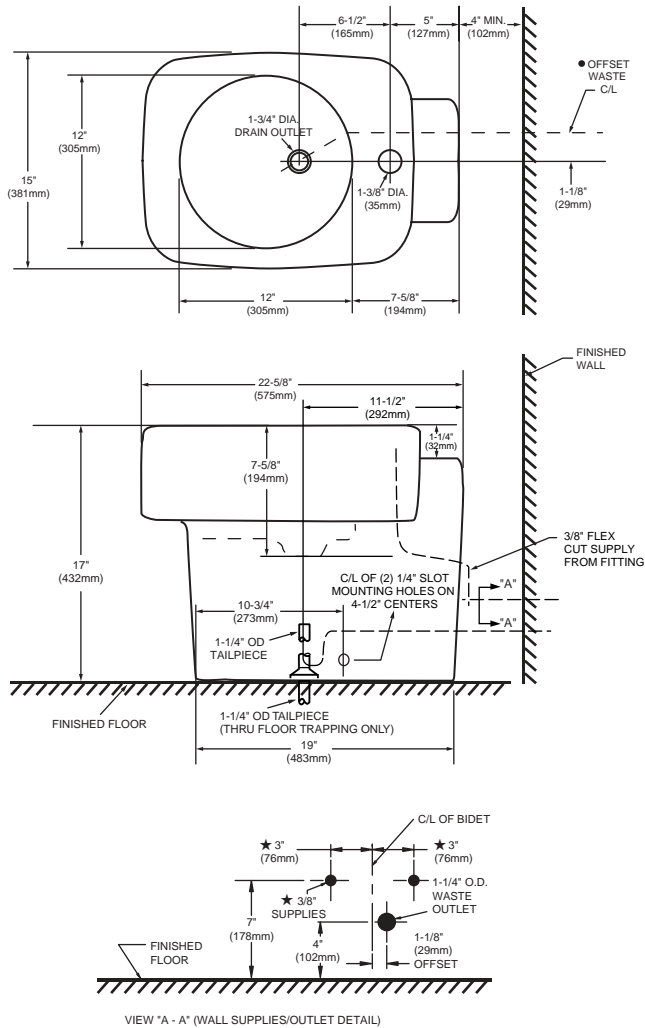
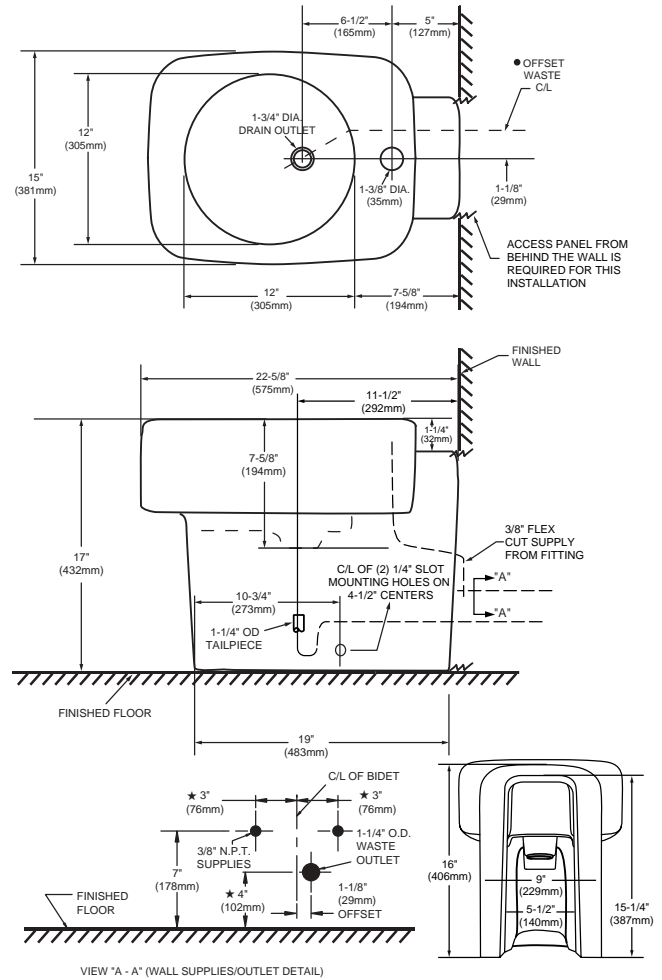


RECOMMENDED INSTALLATION INSTALLATION A: AWAY FROM THE WALL



ALTERNATE INSTALLATION REQUIRES ACCESS PANEL BEHIND WALL INSTALLATION A: AGAINST THE WALL



NOTES:

- ★ DIMENSIONS SHOWN FOR LOCATION OF SUPPLIES AND "P" TRAP ARE SUGGESTED.
- WALL OUTLET INSTALLATION REQUIRES:
 - A TRUE 1-1/4" BODIED "P" TRAP; DO NOT USE A UNIVERSAL 1-1/4" X 1-1/2" TRAP.
 - DRAIN TAILPIECE LENGTH MUST BE CUT TO 1-1/2" (38mm) MAXIMUM TO PROVIDE CLEARANCE BETWEEN BASE OF P-TRAP AND FLOOR.
 - DRAIN CONNECTION TO WALL OUTLET IS OFFSET TO PREVENT INTERFERENCE WITH OPERATION OF POP-UP DRAIN LIFT ROD.
- THRU-FLOOR OUTLET INSTALLATION (ALTERNATE). "P" TRAP AND FITTINGS NOT INCLUDED AND MUST BE ORDERED SEPARATELY. REFER TO INSTALLATION INSTRUCTIONS SUPPLIED WITH BIDET FOR ADDITIONAL INFORMATION.

IMPORTANT: Dimensions of fixtures are nominal and may vary within the range of tolerances established by ANSI Standard A112.19.2M. These measurements are subject to change or cancellation. No responsibility is assumed for use of superseded or voided pages.