

### POMEZIA ROUND 2-PIECE TOILET, MODEL 9035X

- Design-matched to Traditional Collection
- Vitreous china construction
- Close-coupled tank with side-mounted chrome, polished brass, or brushed nickel trip lever
- Available in white or biscuit
- Low-consumption, quiet refill (1.6 gpf/6.0 Lpf)
- Round siphon action jetted bowl with exposed trapway
- Decorative tank lid rear trim
- Rim height at 16-5/8" (422mm)
- Internal trapway fully glazed
- 100% factory flush tested
- Includes color-matched bolt caps



90350 Toilet complete with chrome trip lever, includes:  
 41150 Tank with chrome trip lever  
 40280 Round bowl

90352 Toilet complete with polished brass trip lever, includes:  
 41152 Tank with polished brass trip lever  
 40280 Round bowl

90355 Toilet complete with brushed nickel trip lever, includes:  
 41155 Tank with brushed nickel trip lever  
 40280 Round bowl

Nominal Overall Dimensions:  
 26-3/8" x 18-3/4" x 32-3/8" (670 x 476 x 822mm)

Hydraulic performance, water surface area, trap seal depth, ballpass diameter, and all fixture dimensions meet or exceed ANSI S standard A112.19.2M requirements.

#### To Be Specified

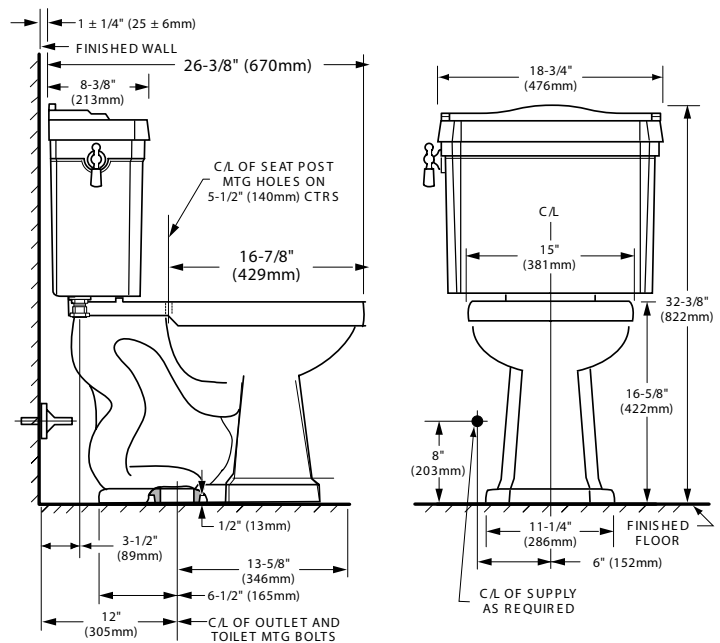
Color:

Supply with stop:

Seat: Pomezia #71020 solid wood elongated seat with cover and chrome hinges.

Seat: Pomezia #71022 solid wood elongated seat with cover and polished brass hinges.

Seat: Pomezia #71025 solid wood elongated seat with cover and brushed nickel hinges.



#### NOTES:

THIS TOILET IS DESIGNED TO ROUGH-IN AT A MINIMUM DIMENSION OF 12" (305MM) FROM FINISHED WALL TO C/L OF OUTLET.

SUPPLY NOT INCLUDED WITH FIXTURE AND MUST BE ORDERED SEPARATELY.

DIMENSIONS SHOWN FOR LOCATION OF SUPPLY ARE SUGGESTED.

IMPORTANT: Dimensions of fixtures are nominal and may vary within the range of tolerances established by ANSI S standard A112.19.2M.

These measurements are subject to change or cancellation. No responsibility is assumed for use of superseded or voided pages.



TOILET HEIGHT OF 16-5/8" (422mm) IS IN COMPLIANCE WITH AMERICAN DISABILITIES ACT (ADA) GUIDELINES AND ANSI A117.1 REQUIREMENTS FOR THE PHYSICALLY CHALLENGED.

SPS 9035X