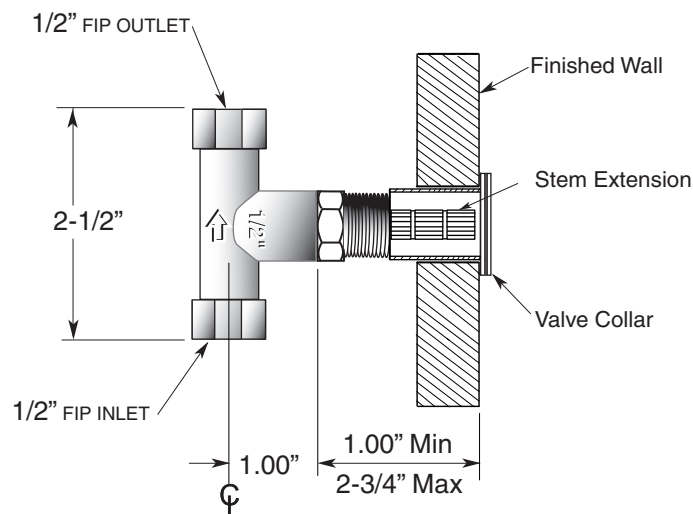
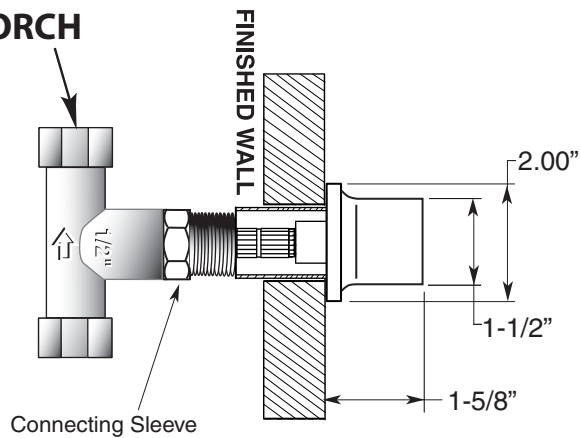


FEATURES:

- All brass construction
- Quarter turn ceramic disc cartridge. P/N: 18.30.036
- Available in all finishes. Warranty varies according to finish selection.
- Certified to meet and exceed the following codes and standards:
ASME A112.18.1-2005/CSAB125.1-2005

NO HEAT-NO TORCH



Note: Measurements are subject to change or cancellation. No responsibility is assumed for use of superseded or voided pages.