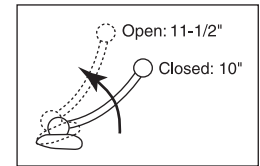
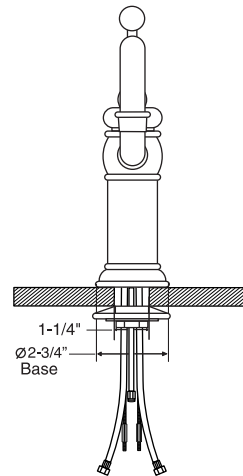
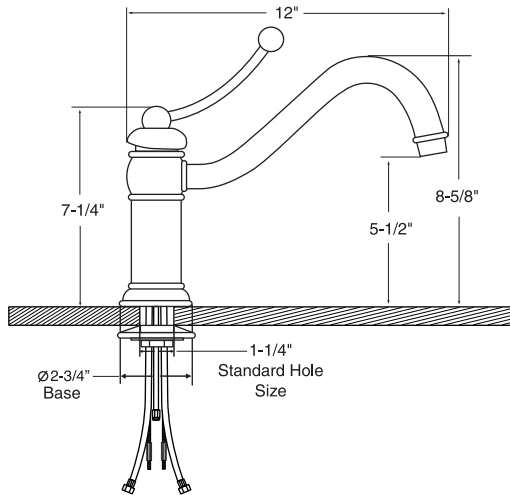


**Kitchen and Bar Specifications**

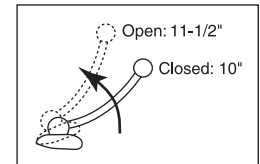
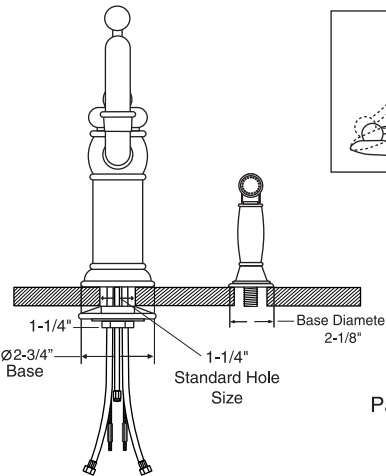
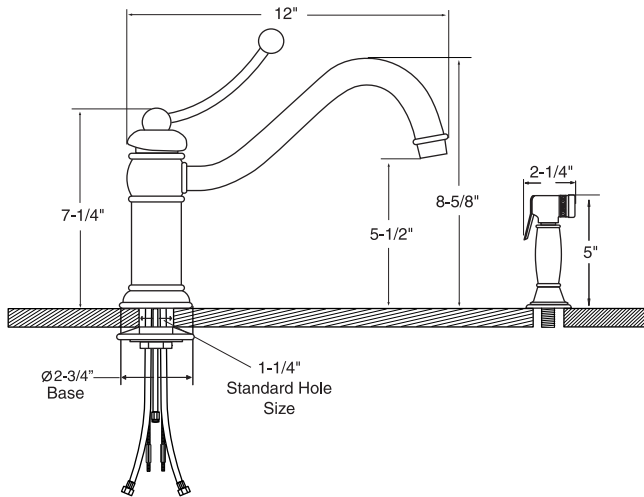
Single Lever Kitchen



Part # 1.3965020

Note: Allow 1-1/4" Diameter Holes for Installation

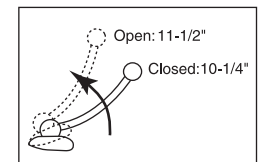
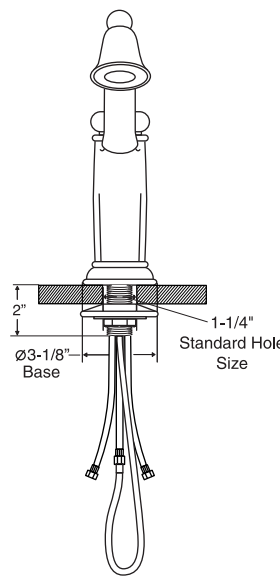
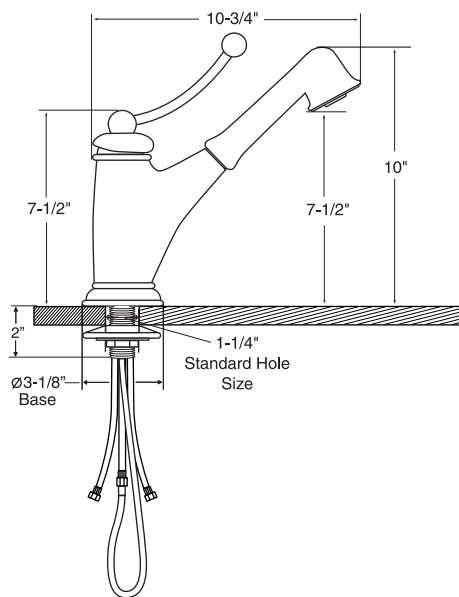
Single Lever Kitchen  
with side spray



Part # 1.3695022

Note: Allow 1-1/4" Diameter Holes for Installation

Single Lever Kitchen  
with pullout spray



Part # 1.3795023

Note: Allow 1-1/4" Diameter Holes for Installation

American Faucet & Coatings Corporation

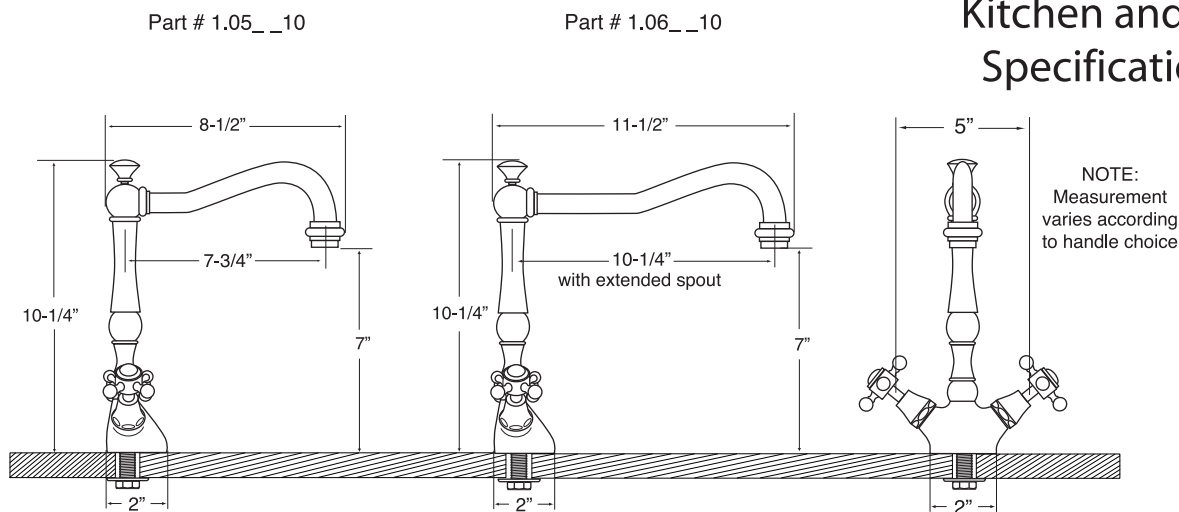
Tel: 760-598-5895

Toll Free Fax 800-621-8383

customerservice@sigmafaucet.com

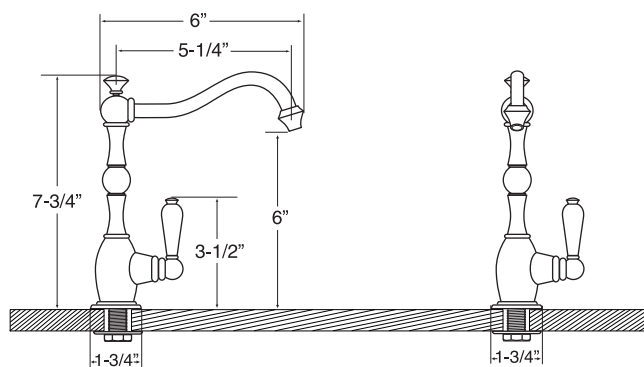
**Kitchen and Bar Specifications**

**350 Y-Body Bar Faucet with Swivel Spout and Extended Spout**



NOTE: Allow 1-1/4" diameter hole for installation

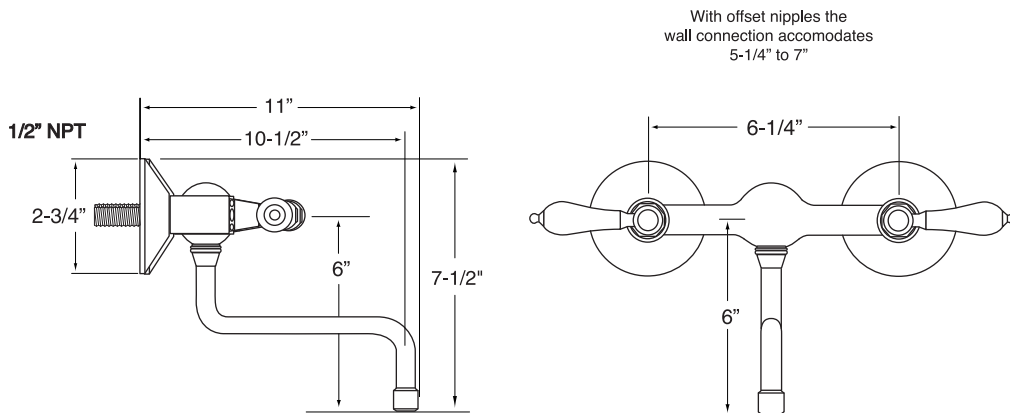
**350 Drinking Faucet for Kitchen or Bar**



Part # 1.350044

NOTE: Allow 1-1/4" diameter hole for installation

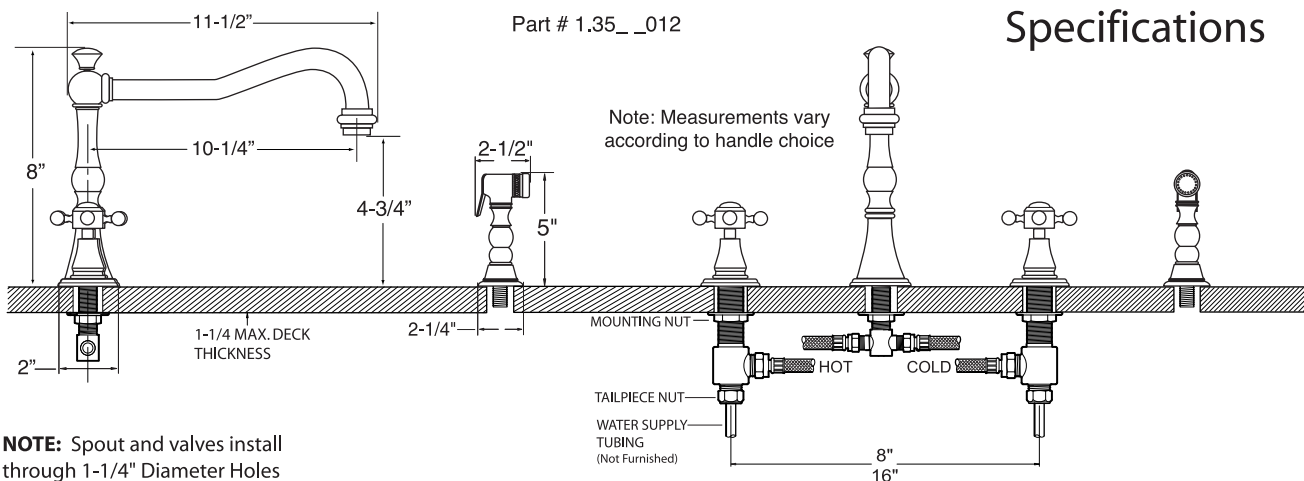
**Wall Mount Bridge Faucet**



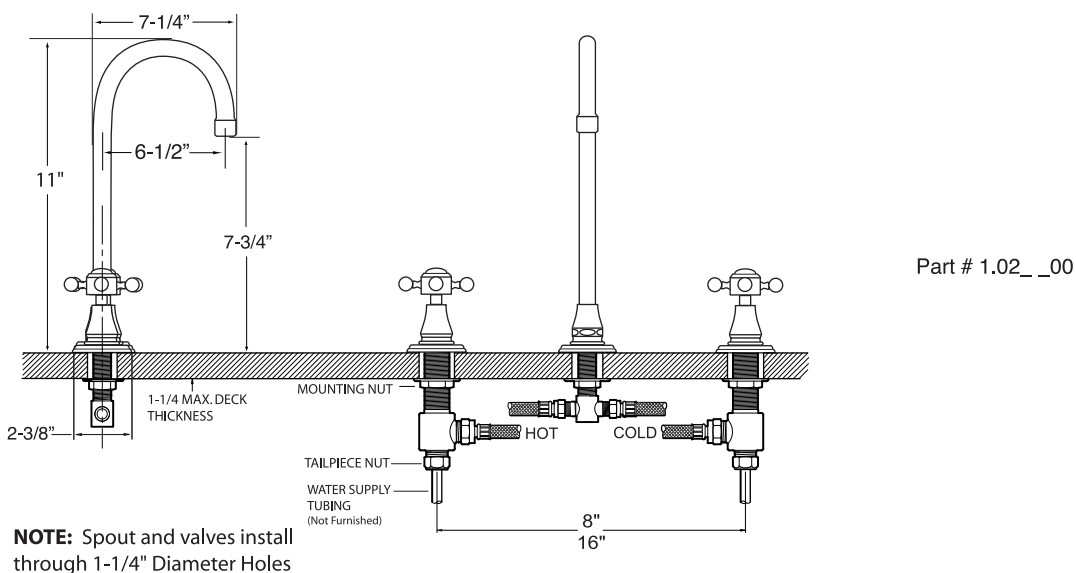
Part # 1.00\_\_033

**Kitchen and Bar  
Specifications**

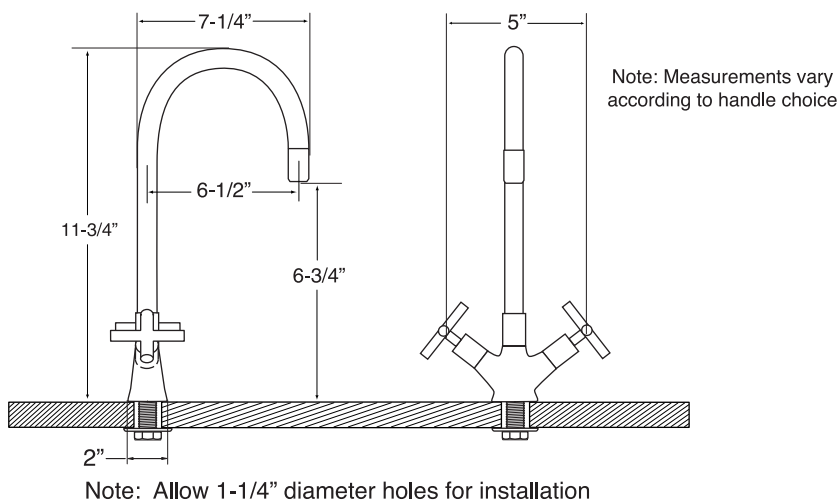
**350 Widespread Kitchen with Swivel Spout**



**Widespread Bar Faucet with Swivel Spout**



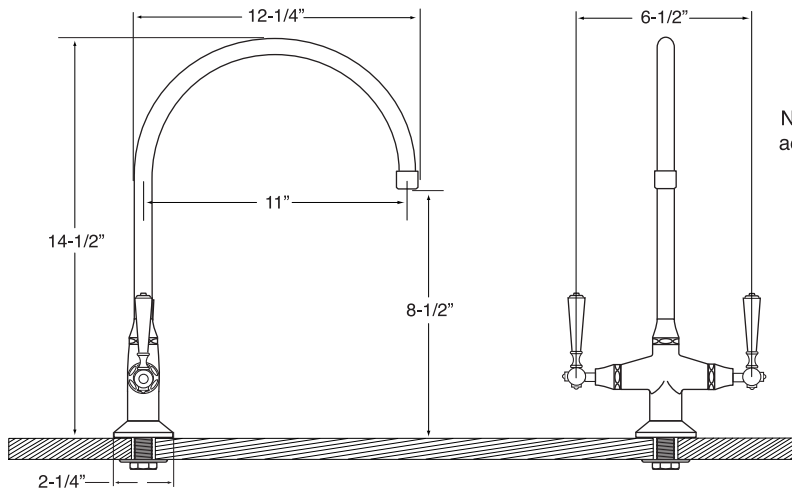
**1400 Single Hole Y-Body Bar Faucet**



Part # 1.04\_10

**Kitchen and Bar  
Specifications**

Single Hole T-Body Bar Faucet  
with Extended Swivel Spout

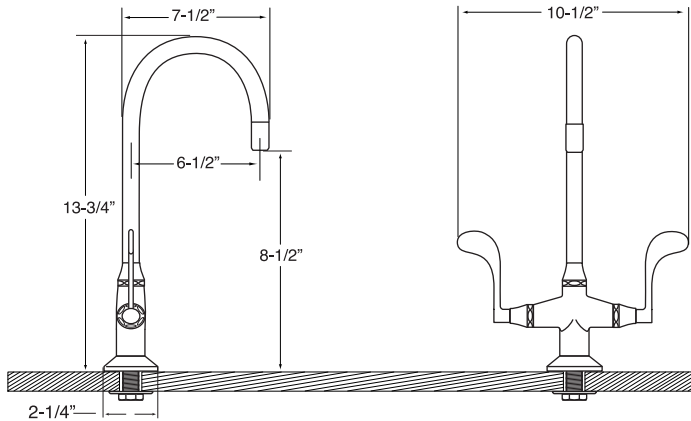


Note: Measurement varies according to handle choice

Part # 1.03\_ \_11

Note: Allow 1-1/4" diameter holes for installation

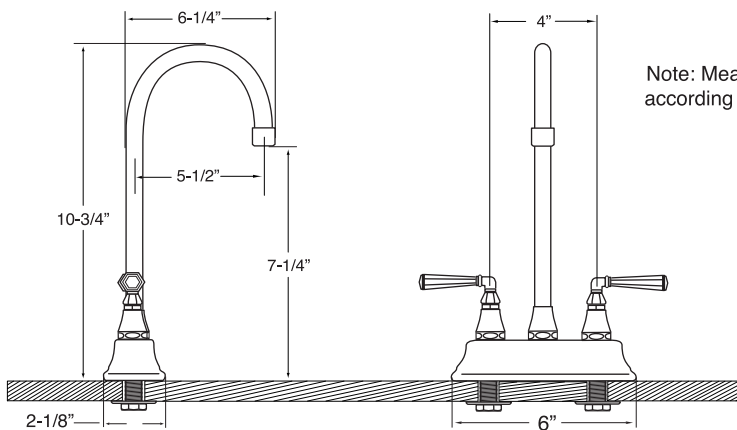
Single Hole T-Body Bar Faucet  
with Swivel Spout



Part # 1.02\_ \_11

Note: Allow 1-1/4" diameter holes for installation

Centerset Bar Faucet

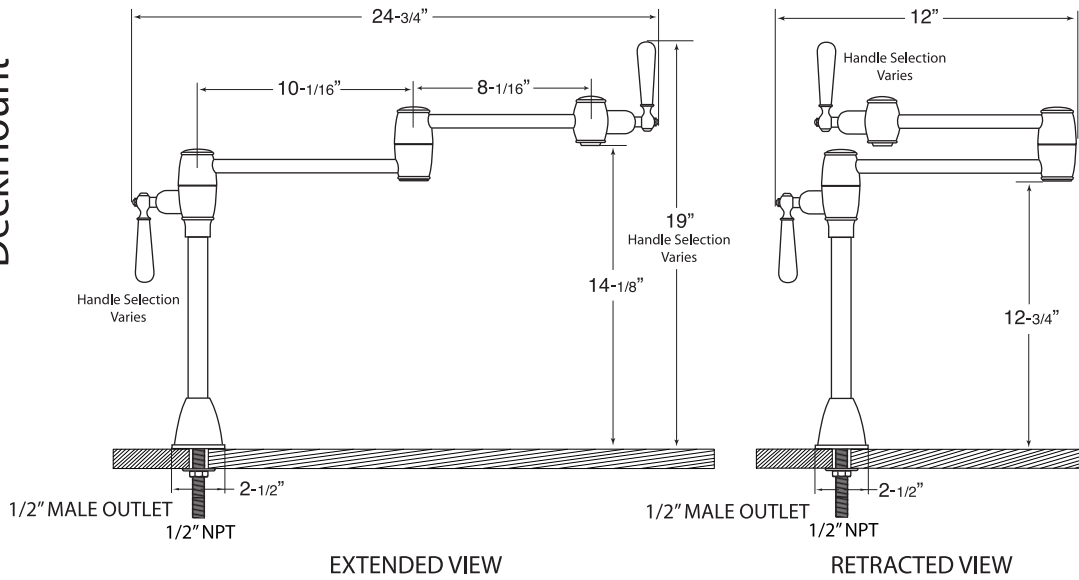


Note: Measurement varies according to handle choice

Part # 1.01\_ \_09

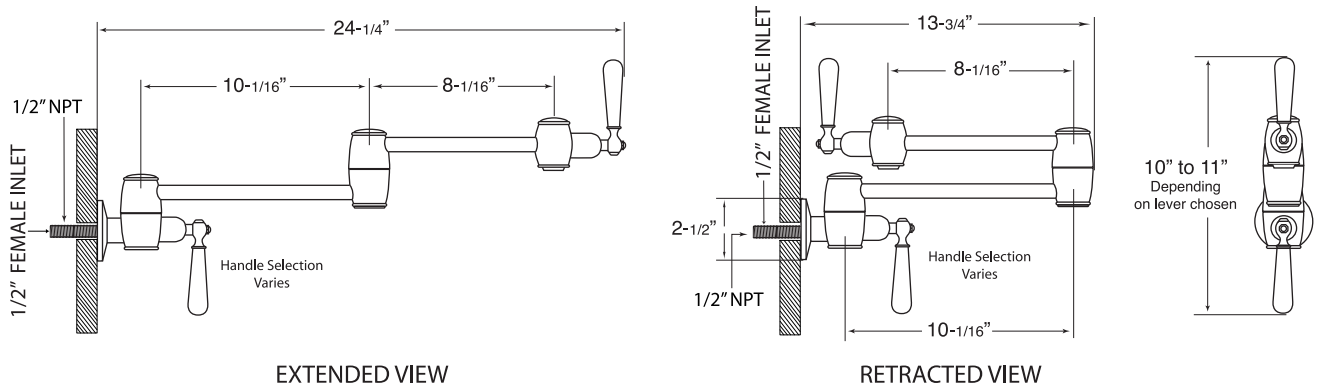
Note: Allow 1-1/4" diameter holes for installation

Potfiller  
Deckmount



NOTE: Allow 1-1/4" diameter hole for installation

Potfiller  
Wallmount



NOTE: Allow 1-1/4" diameter hole for installation