

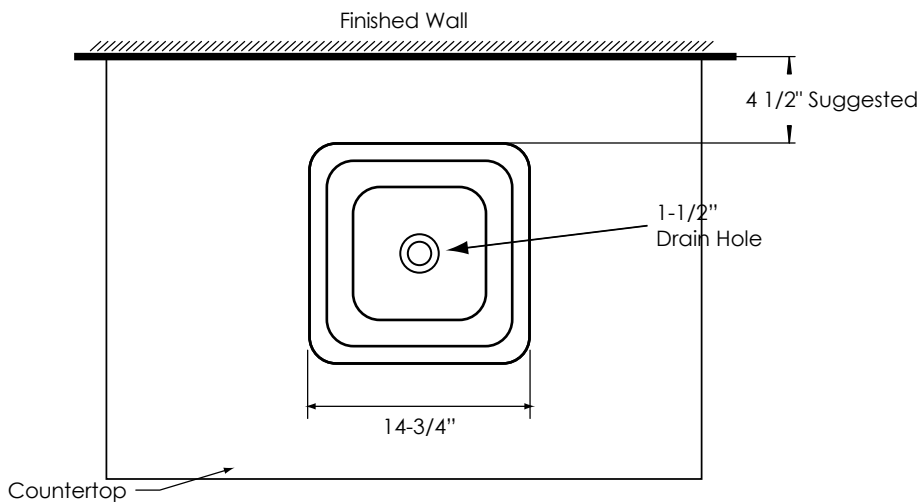
SPECIFICATION SHEET

Product Description

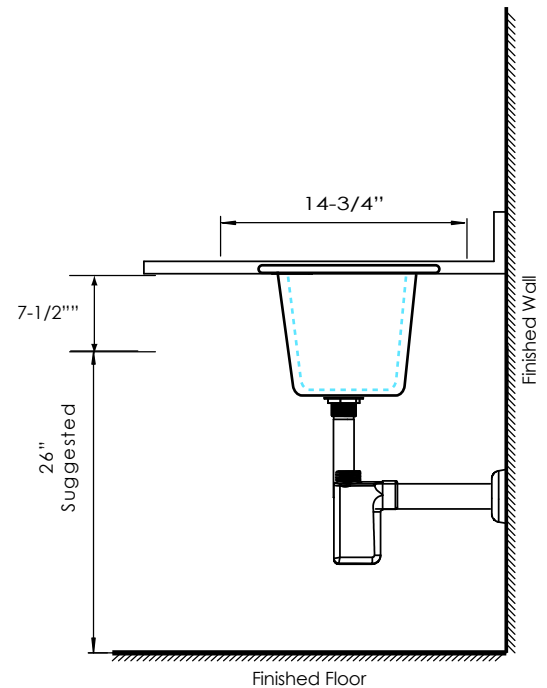
MS-008

- Hand Hammered Copper
- Antique Copper finish
- 16 Gauge
- For undermount use

Dimensions



TOP VIEW



SIDE VIEW