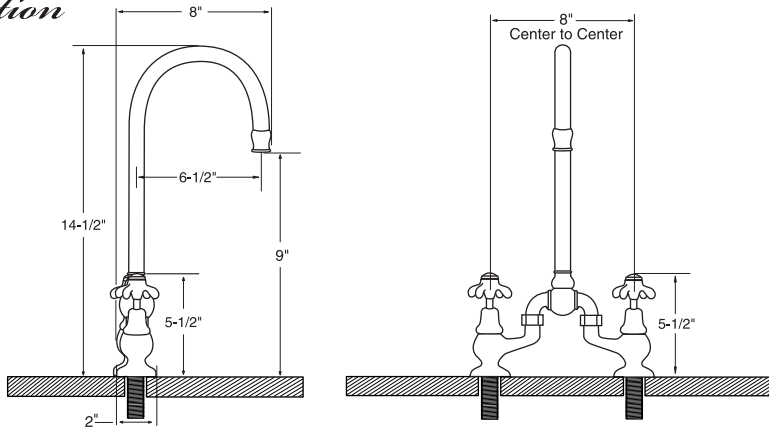
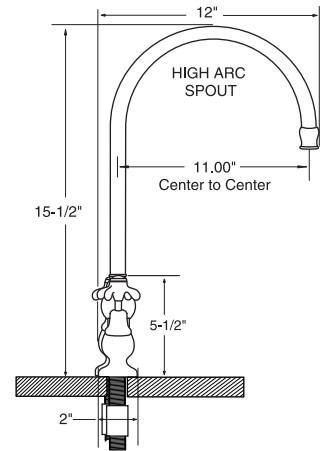


Bridge Kitchen and Bar  
Specifications

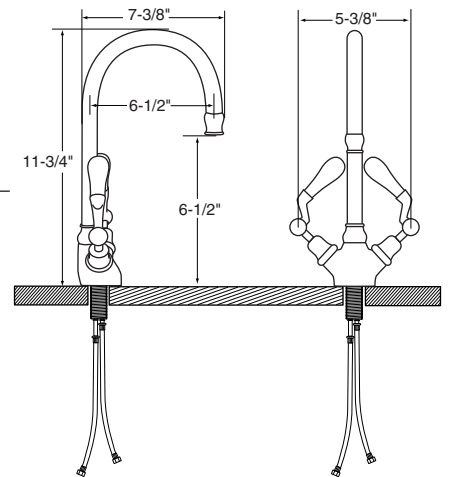
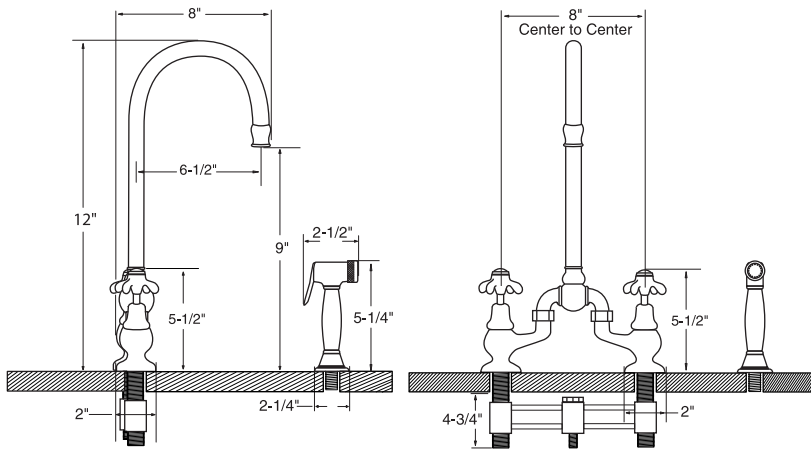
Bridge Kitchen Sets



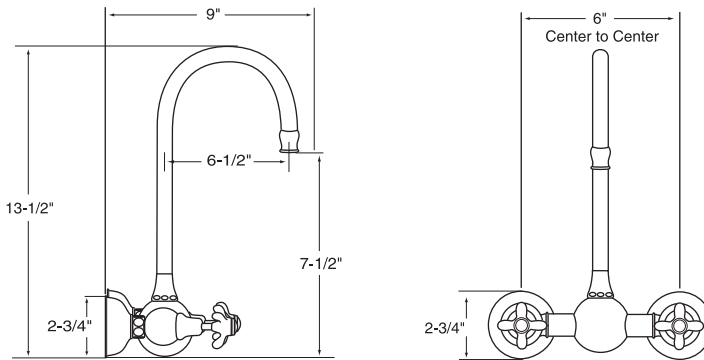
NOTE: Spout and valves install through 1-1/4" Diameter Holes



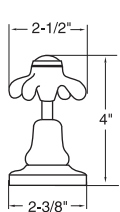
Bridge Kitchen or Bar



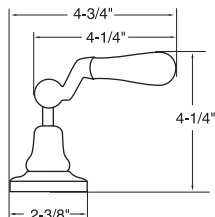
Wall Mount Kitchen or Bar



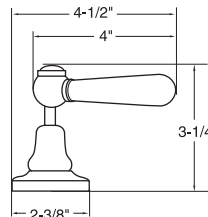
Note: Offset Elbows Allow Minimum 5-3/8" Maximum 7" Center to Center



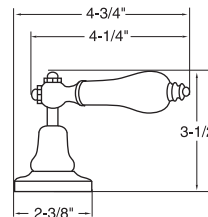
Handle 481



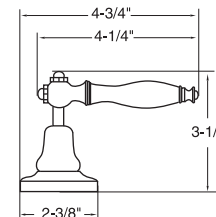
Handle 482



Handle 484



Handle 485



Handle 486